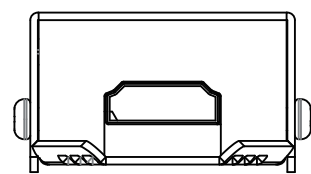
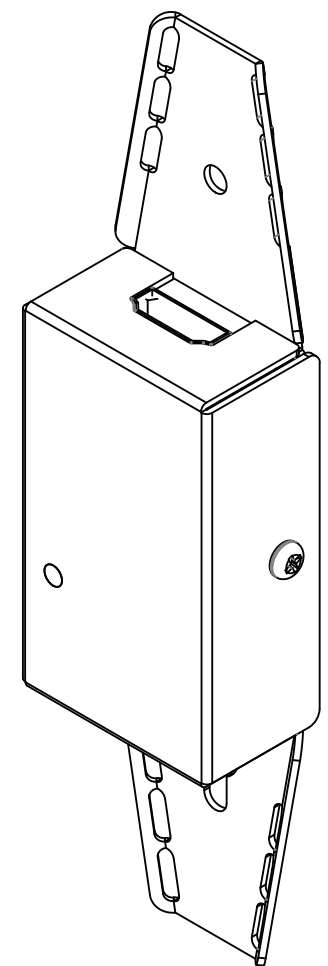
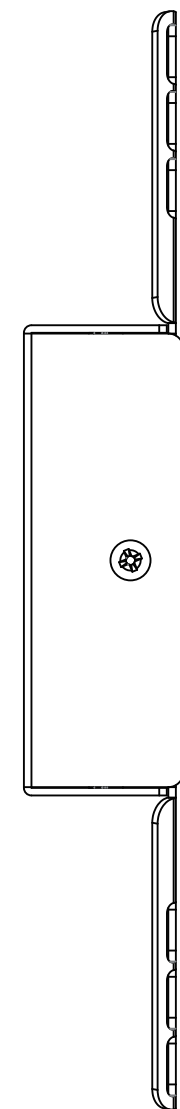
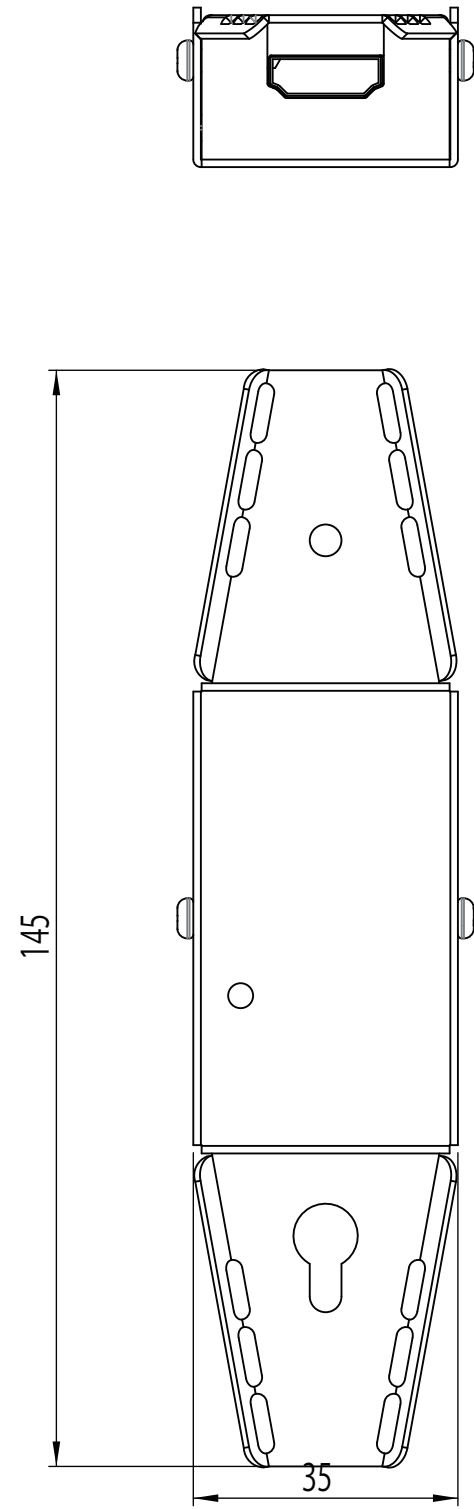
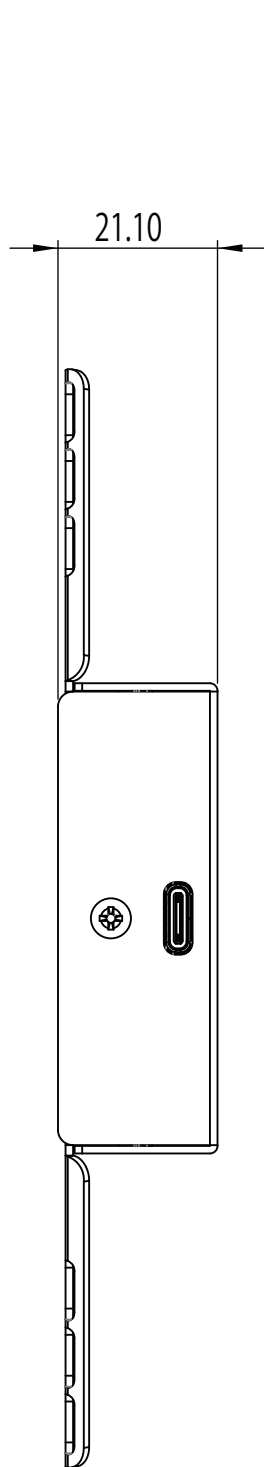


Rev	ECN NO	Description	Drawing	Approved	Date
X	XXXXXXXX	XXXXXXXX	Roger	Lake	2021/5/27

注意事項:
 1.未標註尺寸公差參照Common Tolerance
 2.標註尺寸加" "為重點檢驗尺寸



Common Tolerance		UNLESS OTHERWISE SPECIFIED DIMENSIONS ARE IN MILLIMETERS	Material: XXXXXXX		datavideo				
10mm以下	±0.1		Finish: XXXXXXX		Part Name: HDMI 4K Repeater 組合件 20210208 for TYPE C				
10.01~50mm	±0.2	Angles Tolerance: ±0.5 °				Part No: XXXXXXX			
50.01~150mm	±0.3	Drawing	Design			Check	Approved	Model No: XXXXXXX	
150.01~300mm	±0.4					Unit: mm	Scale: 1:1	Date: 2021/5/27	Sheet: 1 OF 1
300.01mm以上	±0.5								