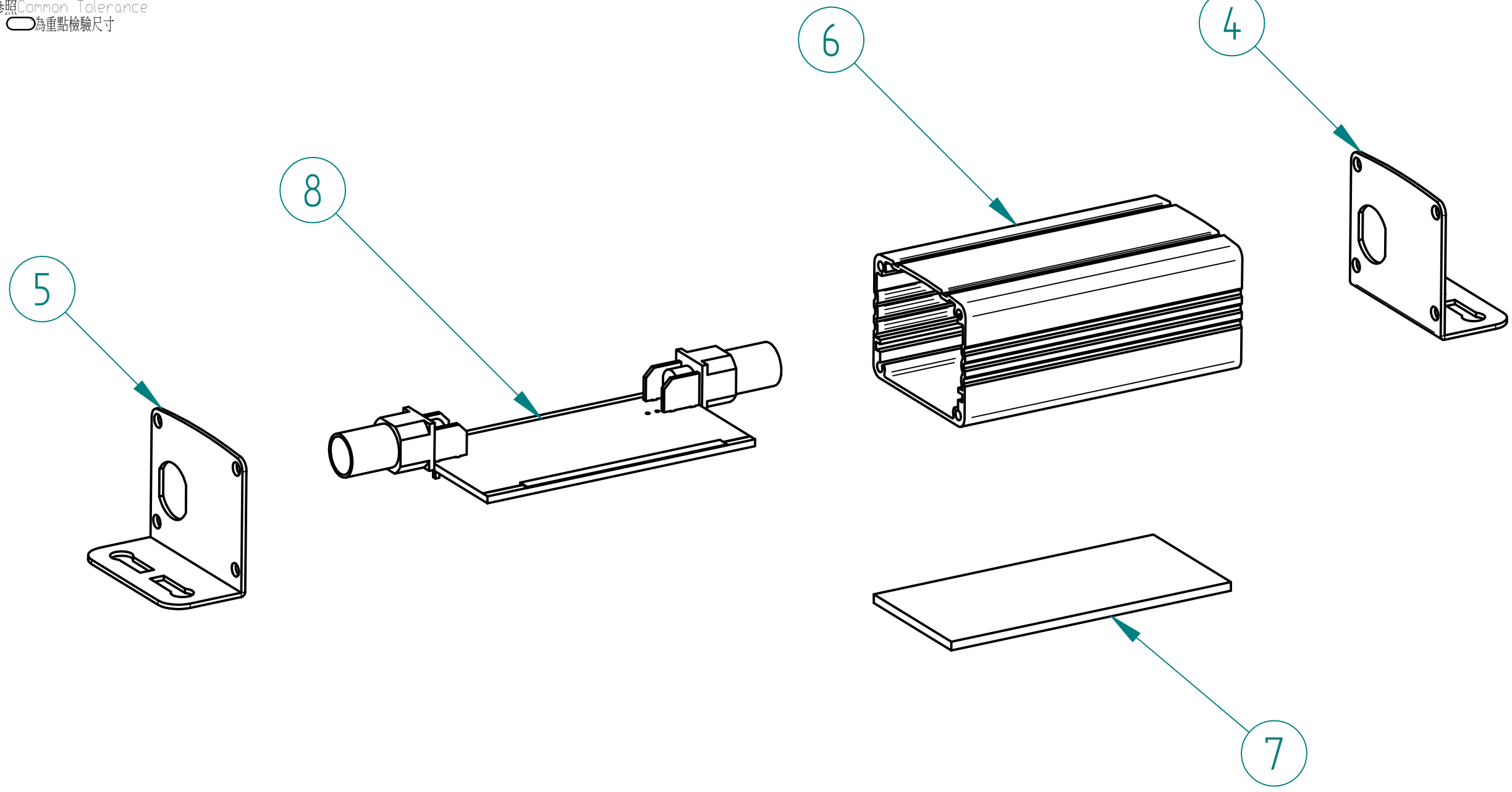


Rev	ECN NO	Description	Drawing	Approved	Date

注意事項  
 1 未標註尺寸公差請參照Common Tolerance  
 2 標註尺寸加框



Item	Description	Part Number
4	Rear cover VP-634	G09320634012
5	Front cover VP-633	G09420633012
6	Aluminum extrusion	G09410634012
7	Foam	G09B00063301
8	VP-634 MB	GB634N0

Common Tolerance		UNLESS OTHERWISE SPECIFIED DIMENSIONS ARE IN MILLIMETERS	Material: XXXXXXXX	datavideo			
10mm以下	±0.1		Finish: XXXXXXXX	Part Name: VP-634組合件爆炸圖			
10.01-50mm	±0.2	Angles Tolerance: ±0.5 °			Part No: XXXXXXXX		
50.01-150mm	±0.3				Model No: XXXXXXXX		
150.01-300mm	±0.4	Drawing	Design	Check	Approved	Unit: mm	Scale: 1:1
300.01mm以上	±0.5					Date: 2020/3/31	Q'TY: