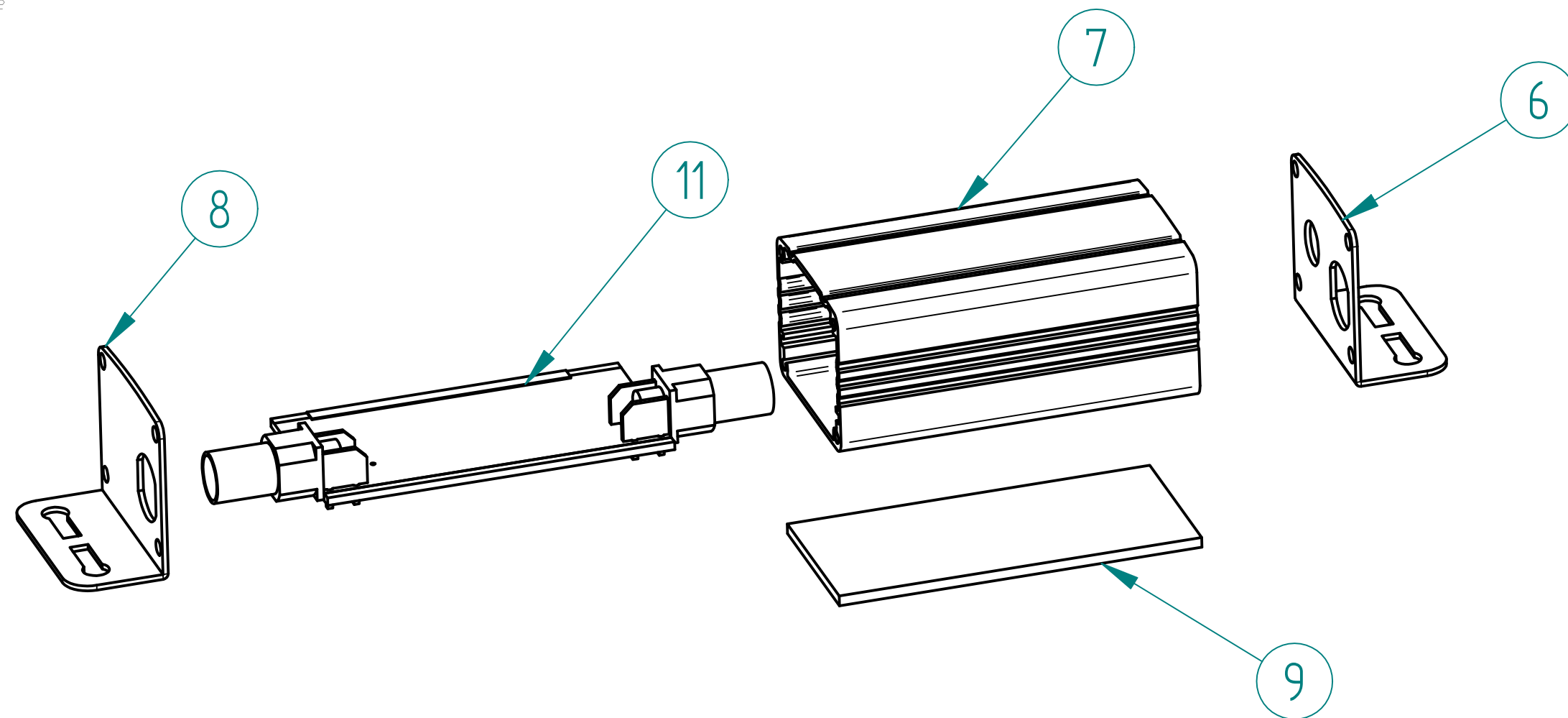
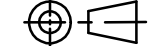


Rev	ECN NO	Description	Drawing	Approved	Date

注意事項
 1. 未標註尺寸公差請參照Common Tolerance
 2. 標註尺寸加框  為重點檢驗尺寸



Item	Description	Part Number
6	Rear cover	G09320633013
7	Aluminum shell	G09410633012
8	Front cover	G09420633012
9	Foam	G09B00063301
11	VP-634 Motherboard	GB634N0

Common Tolerance		UNLESS OTHERWISE SPECIFIED DIMENSIONS ARE IN MILLIMETERS	Material: XXXXXXXX		datavideo				
10mm以下	±0.1		Finish: XXXXXXXX		Part Name: VP-633組合件爆炸圖				
10.01-50mm	±0.2				Part No: XXXXXXXX				
50.01-150mm	±0.3				Model No: XXXXXXXX				
150.01-300mm	±0.4		Drawing	Design	Check	Approved	Unit:	Scale:	Date:
300.01mm以上	±0.5					mm	1:1	2019/12/5	