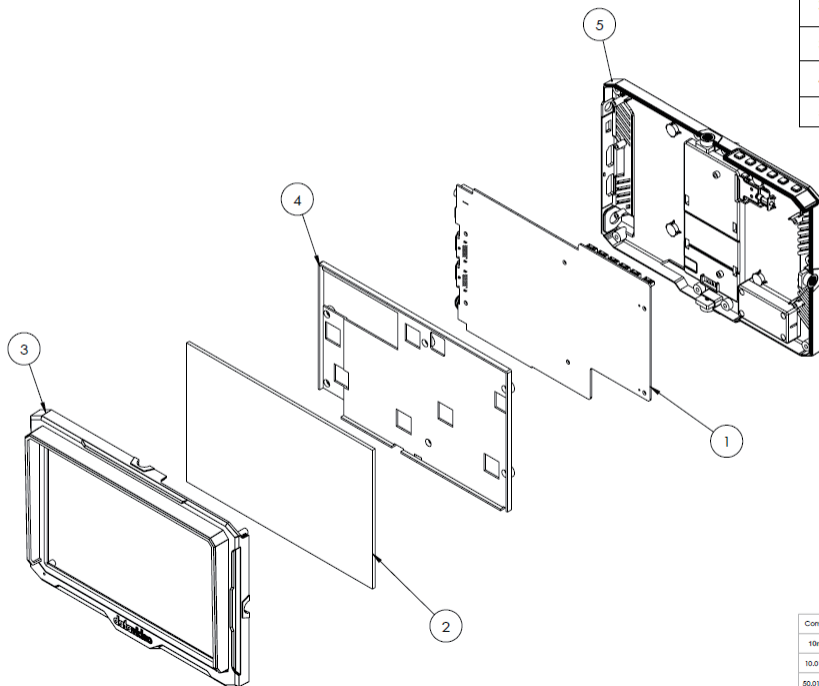


Rev	ECH NO	Description	Drawing	Approved	Date

Item	Part	Description
1	GB915N0	VP-915 TLM-700UHD Motherboard
2	G13010000715	7" panel VP-915 TLM-700UHD
3	G09420915011	TLM-700UHD Cover
4	G09200859021	Mid-screen
5	G09320915011	Back shell



Common Tolerance		Material:		datavideo	
10mm以下	±0.1	UNLESS OTHERWISE SPECIFIED	Finish:	Part Name: VP-915 TLM-700UHD	
10.01-50mm	±0.2	DIMENSIONS ARE IN MILLIMETERS		Part No:	
50.01-150mm	±0.3	Angles Tolerance: ±0.5°		Model No:	
150.01-300mm	±0.4	Drawing	Design	Check	Approved
		Unit:	Scale:	Date:	QTY: