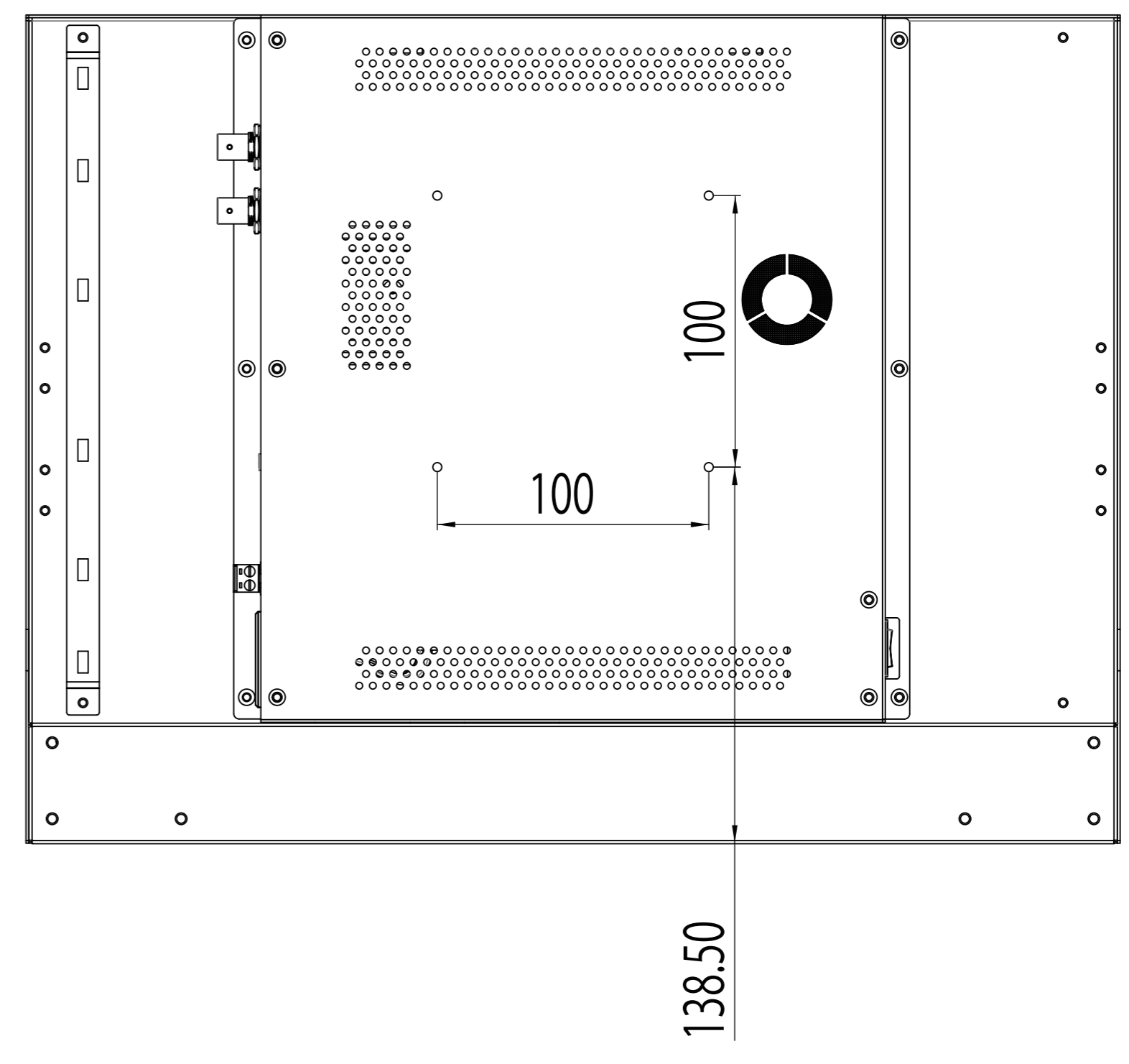
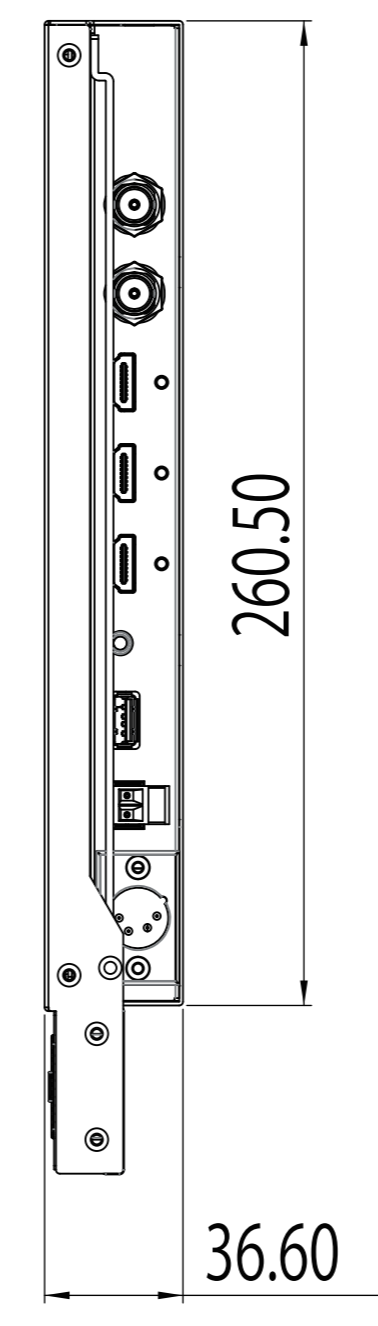
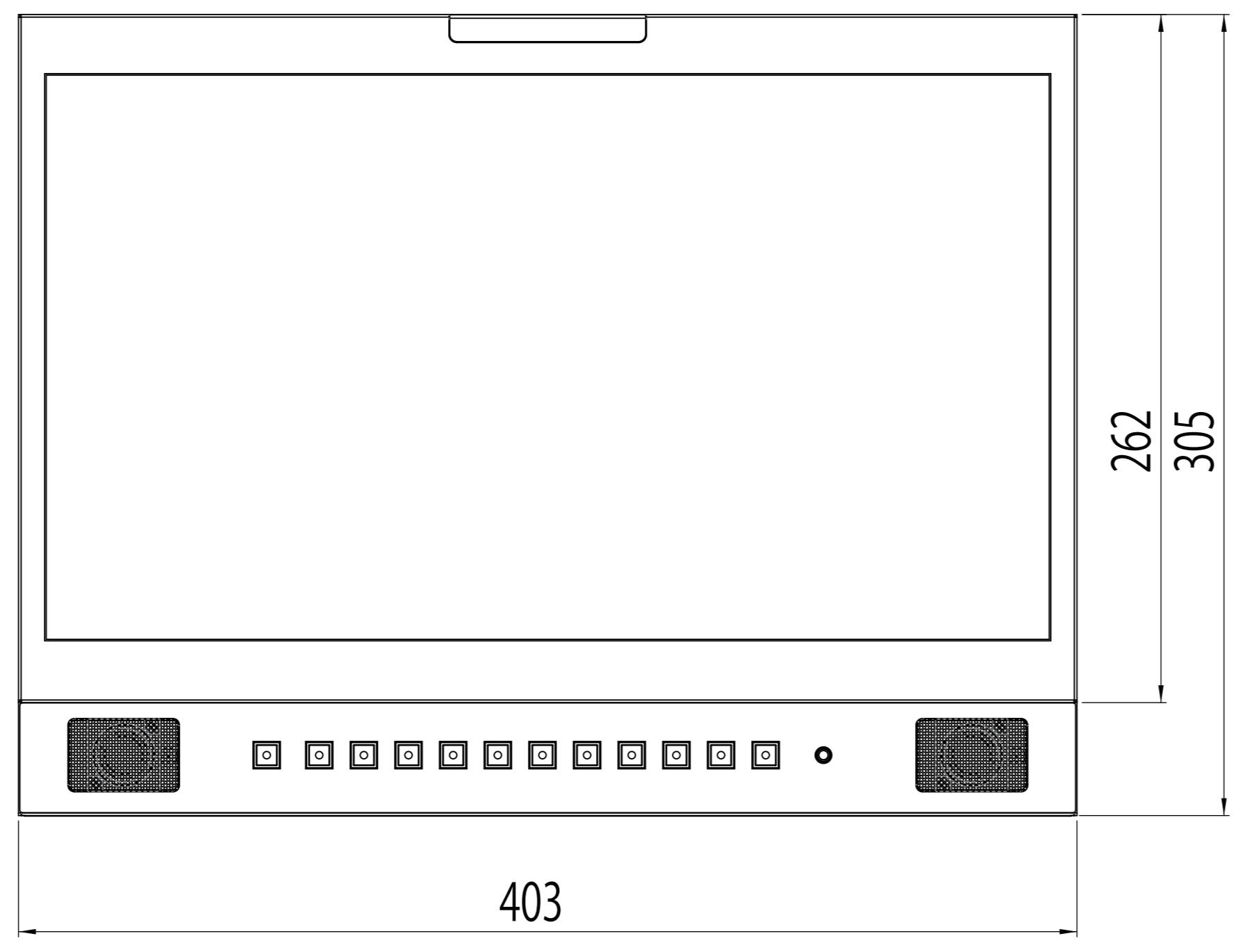
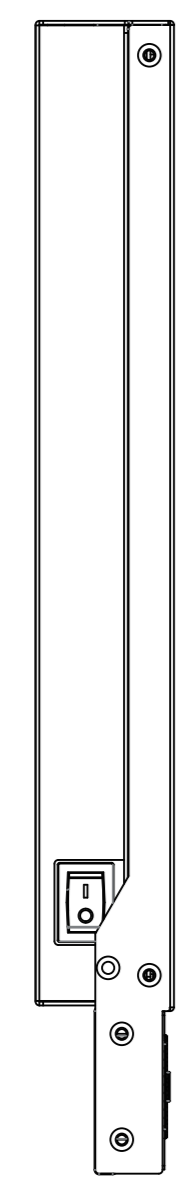
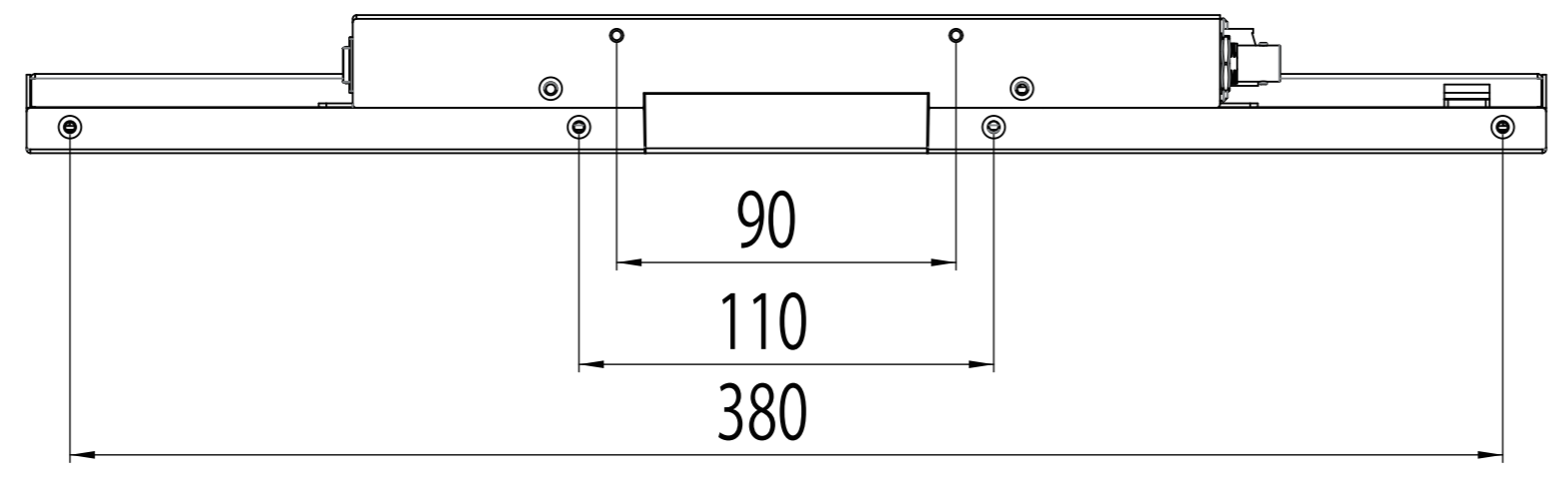
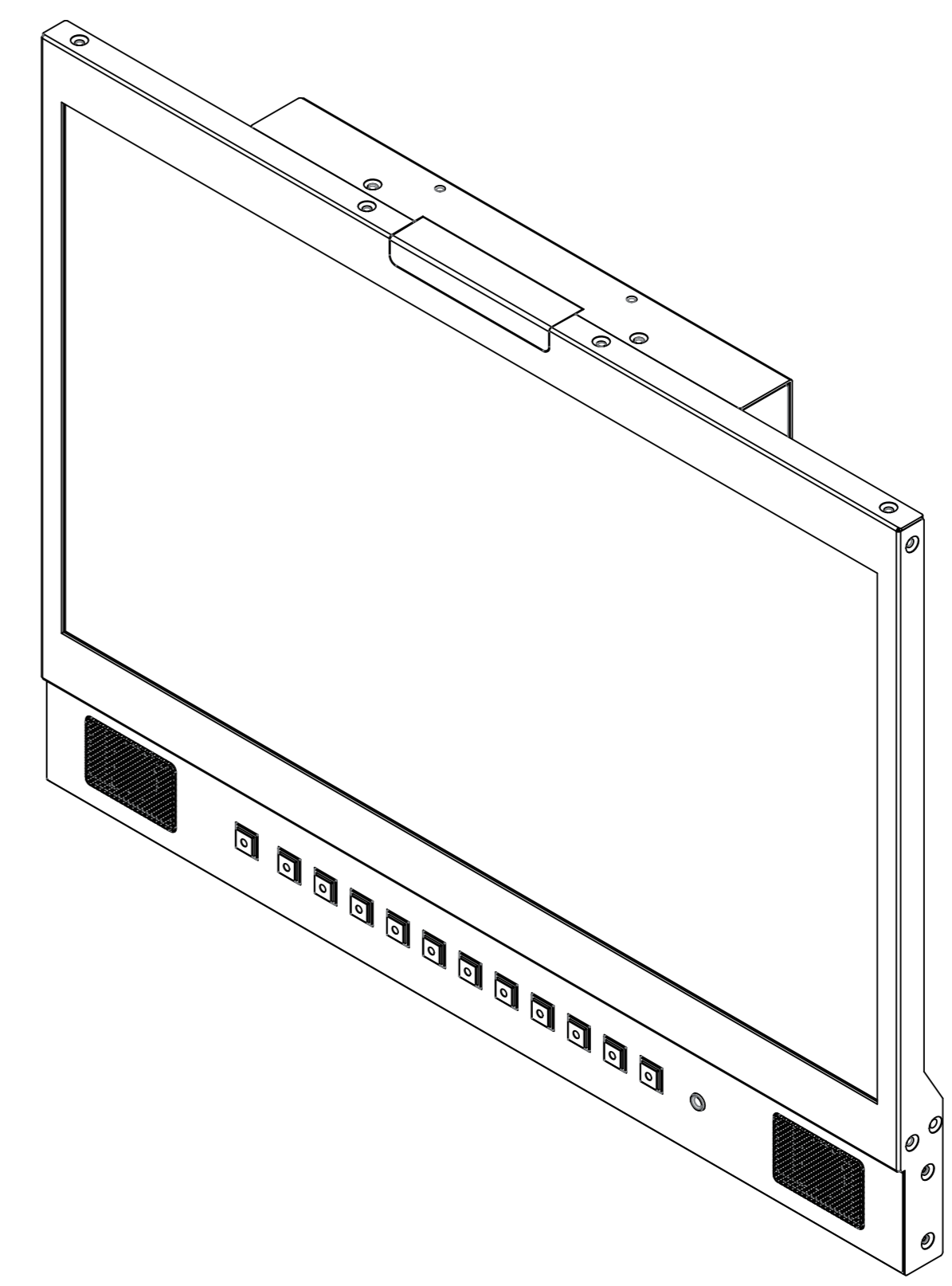


Rev	ECN NO	Description	Drawing	Approved	Date
X	XXXXXXXX	XXXXXXXX	Roger	Lake	2021/11/30



Common Tolerance		UNLESS OTHERWISE SPECIFIED		Material:	XXXXXXXX	datavideo		
10mm±0.1	±0.1	DIMENSIONS ARE IN MILLIMETERS		Finish:	XXXXXXXX	Part Name: TLM-170K		
10.01-50mm	±0.2	Angles Tolerance: ±0.5			Part No: XXXXXXXX			
50.01-150mm	±0.3	Drawing			Model No: XXXXXXXX			
150.01-300mm	±0.4	Design		Check	Approved	Unit:	mm	
300.01mm±0.5	±0.5			Scale:	1:2	Date:	2021/11/30	
							Sheet:	1 OF 1