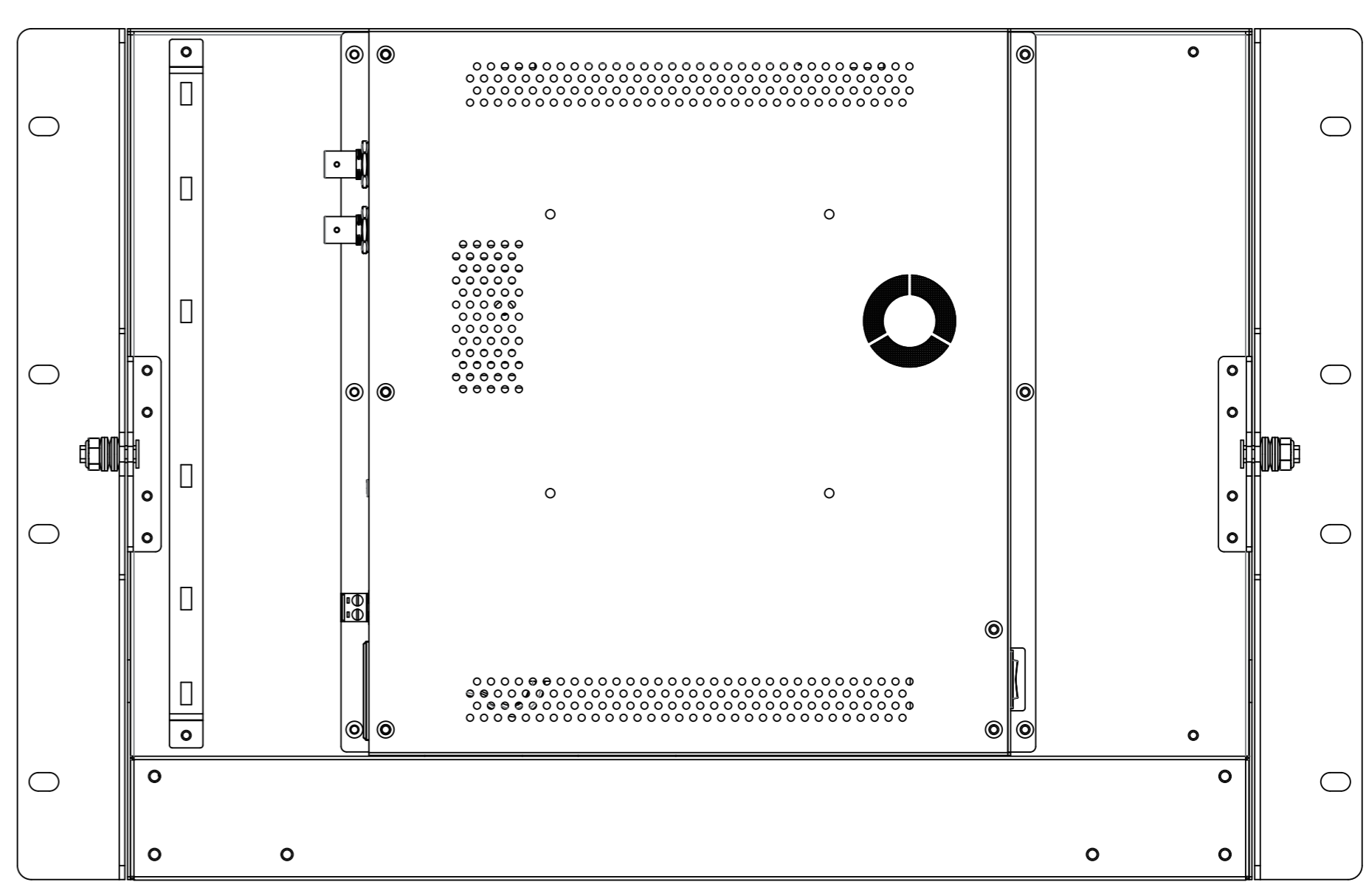
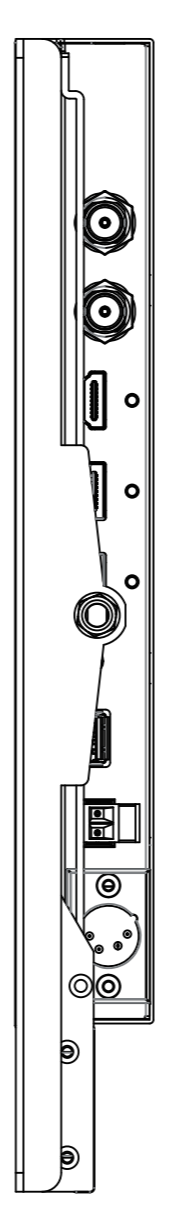
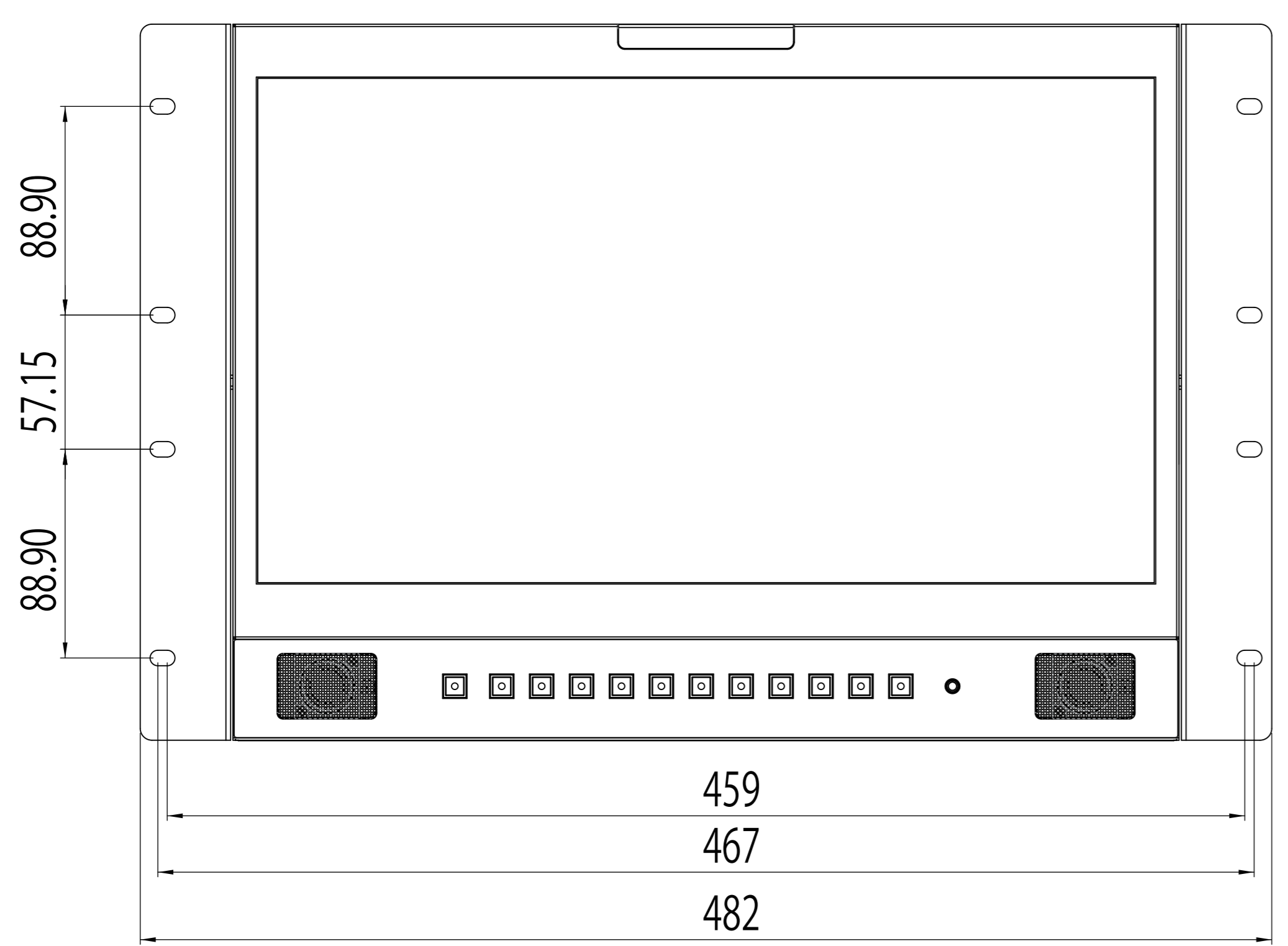
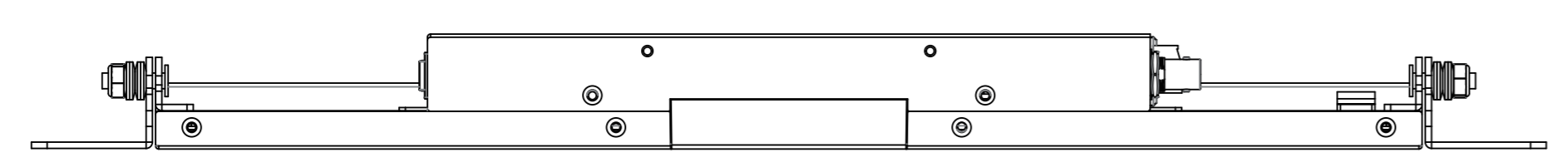
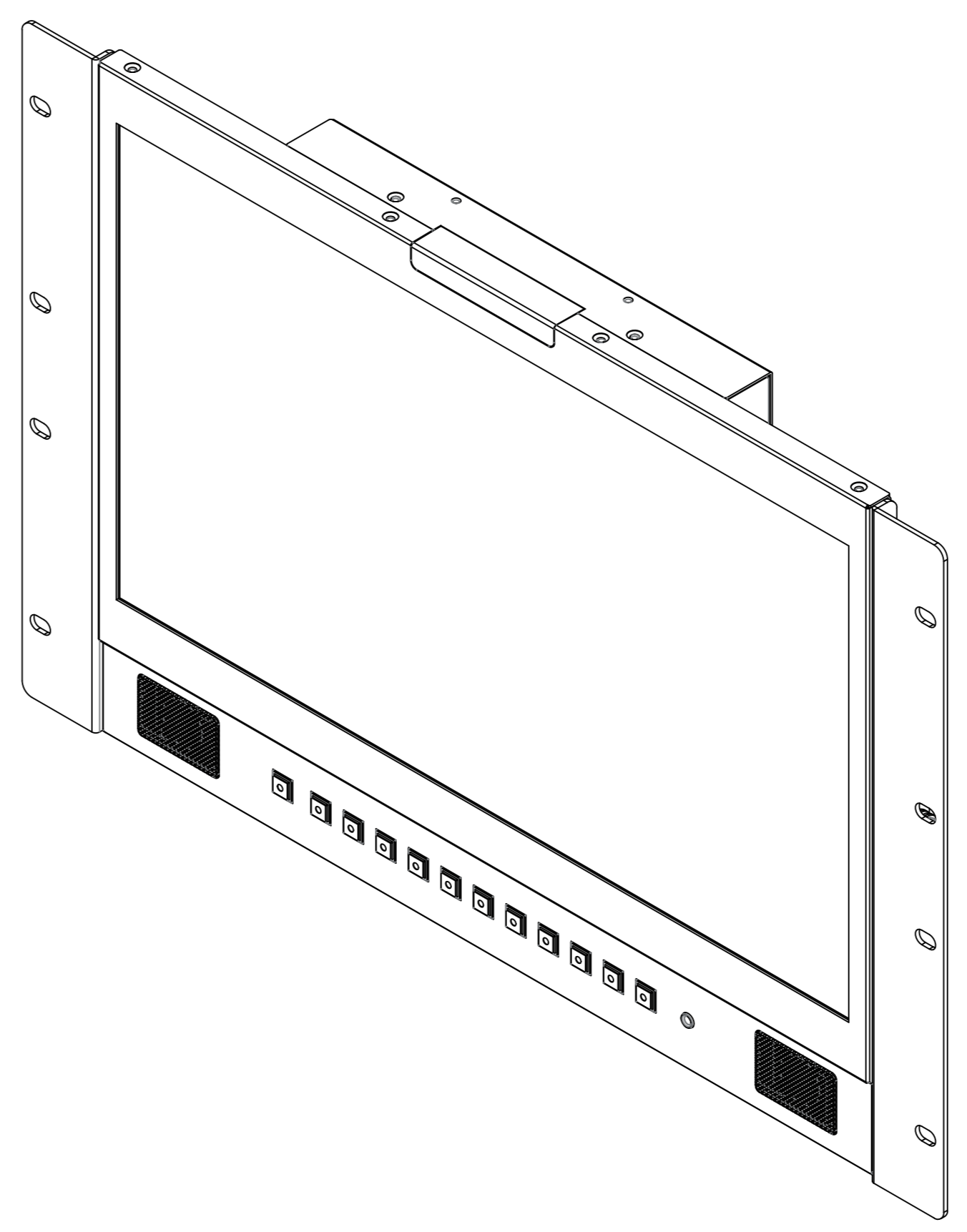


Rev	ECN NO	Description	Drawing	Approved	Date
X	XXXXXXXX	XXXXXXXXXX	Roger	Lake	2021/11/30



Common Tolerance		UNLESS OTHERWISE SPECIFIED		Material:	XXXXXXXX	datavideo	
10mm±F	±0.1	DIMENSIONS ARE IN MILLIMETERS		Finish:	XXXXXXXX	Part Name: TLM-170KR	
10.01-50mm	±0.2	Angles Tolerance: ±0.5			Part No: XXXXXXXX		
50.01-150mm	±0.3	Design	Check		Model No: XXXXXXXX		
150.01-300mm	±0.4	Unit:	Scale:		Date:		
300.01mm±L	±0.5	mm	1:2	2021/11/30		Sheet:	1 OF 1