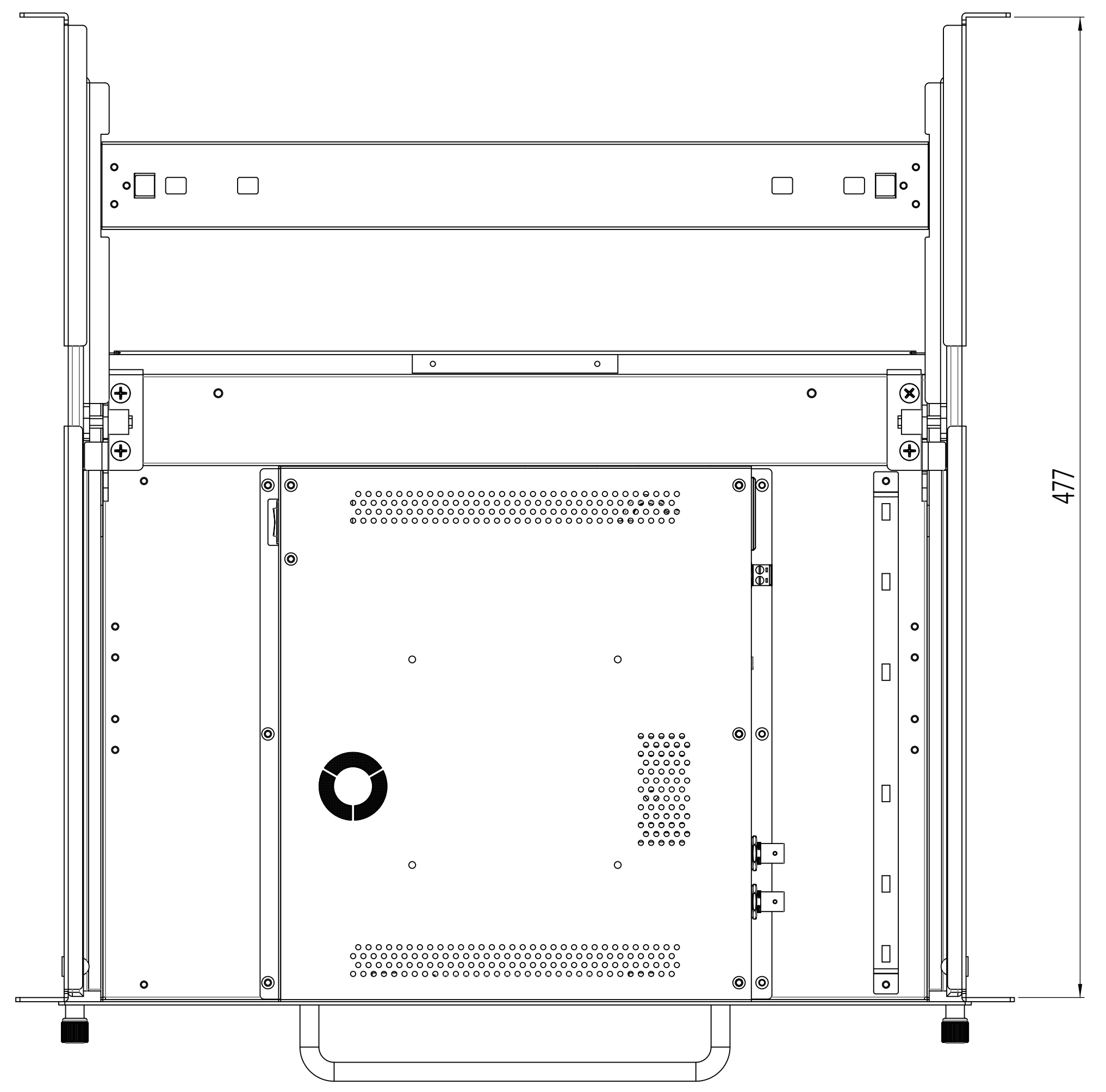
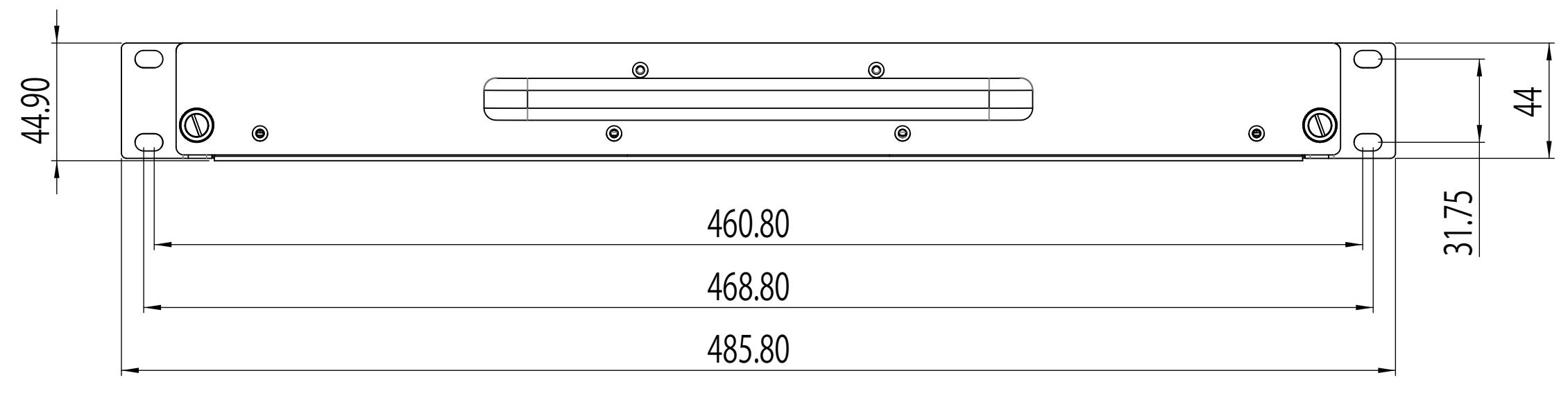
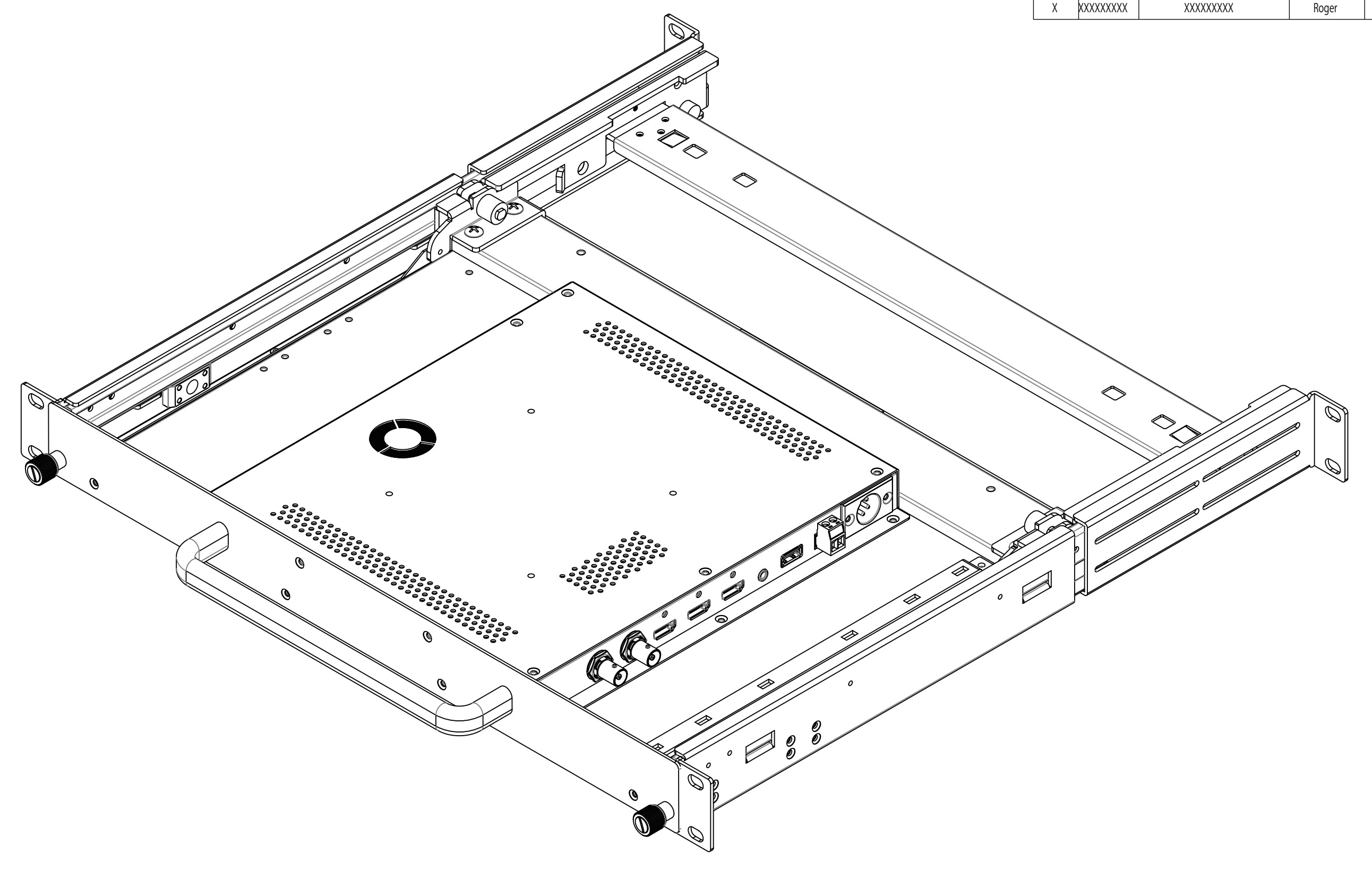
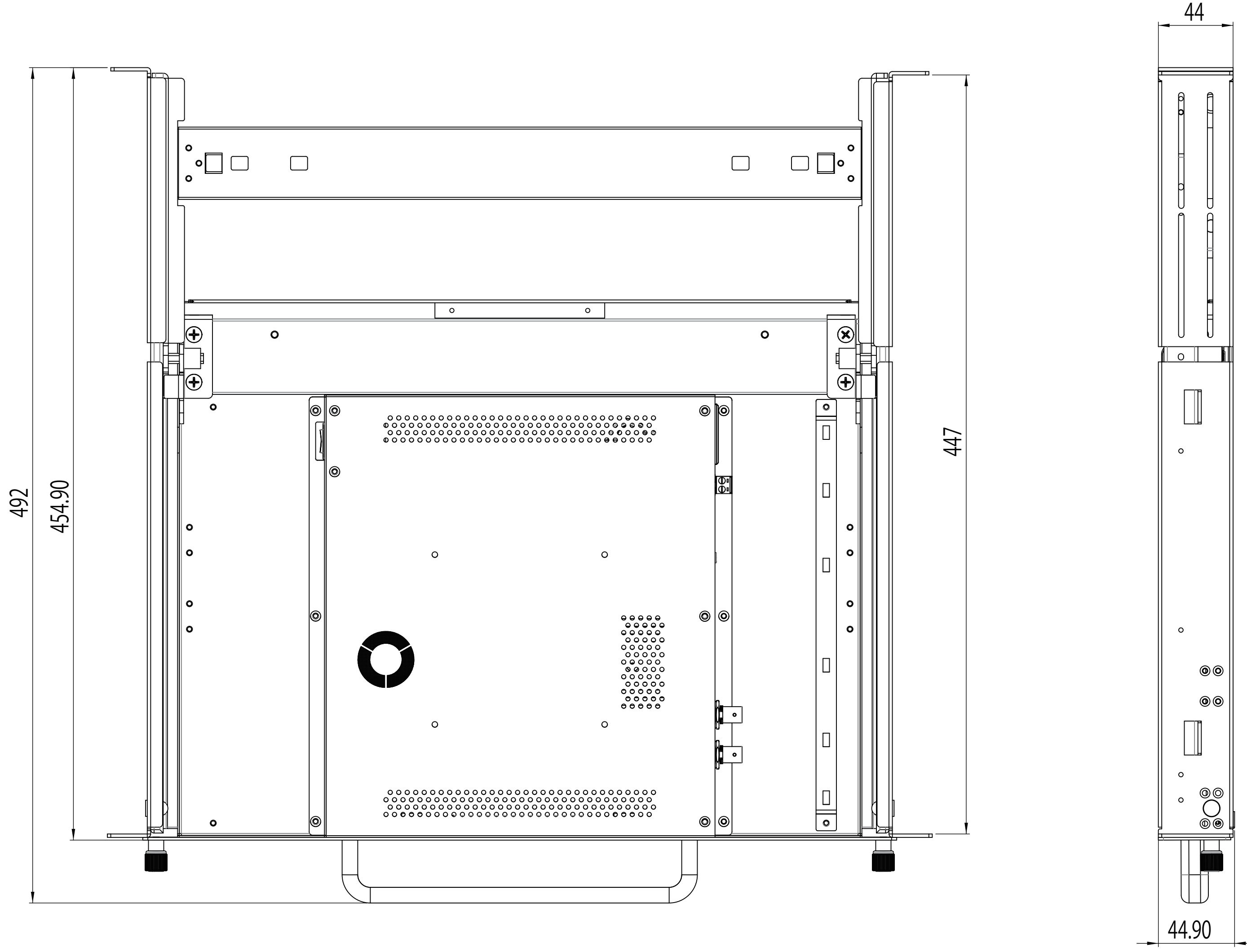


Rev	ECN NO	Description	Drawing	Approved	Date
X	XXXXXXXX	XXXXXXXX	Roger	Lake	2021/12/1

注意事項:
 1. 未標註尺寸公差者均Common Tolerance
 2. 標註尺寸者為第一優先級尺寸



Common Tolerance	UNLESS OTHERWISE SPECIFIED	Material	XXXXXXXX	datavideo	
15mm±0.1	±0.1	Finish:	XXXXXXXX	Part Name:	VP-949 TLM-170KM-1U 托盤
1001-50mm	±0.2	Angle Tolerance: ±0.5		Part No:	XXXXXXXX
5001-150mm	±0.3	Model No:	XXXXXXXX		
15001-300mm	±0.4	Unit:	mm	Scale:	1:2
30001mm±0.2	±0.5	Date:	2021/12/1	Sheet:	1 OF 1

總組合圖 收合