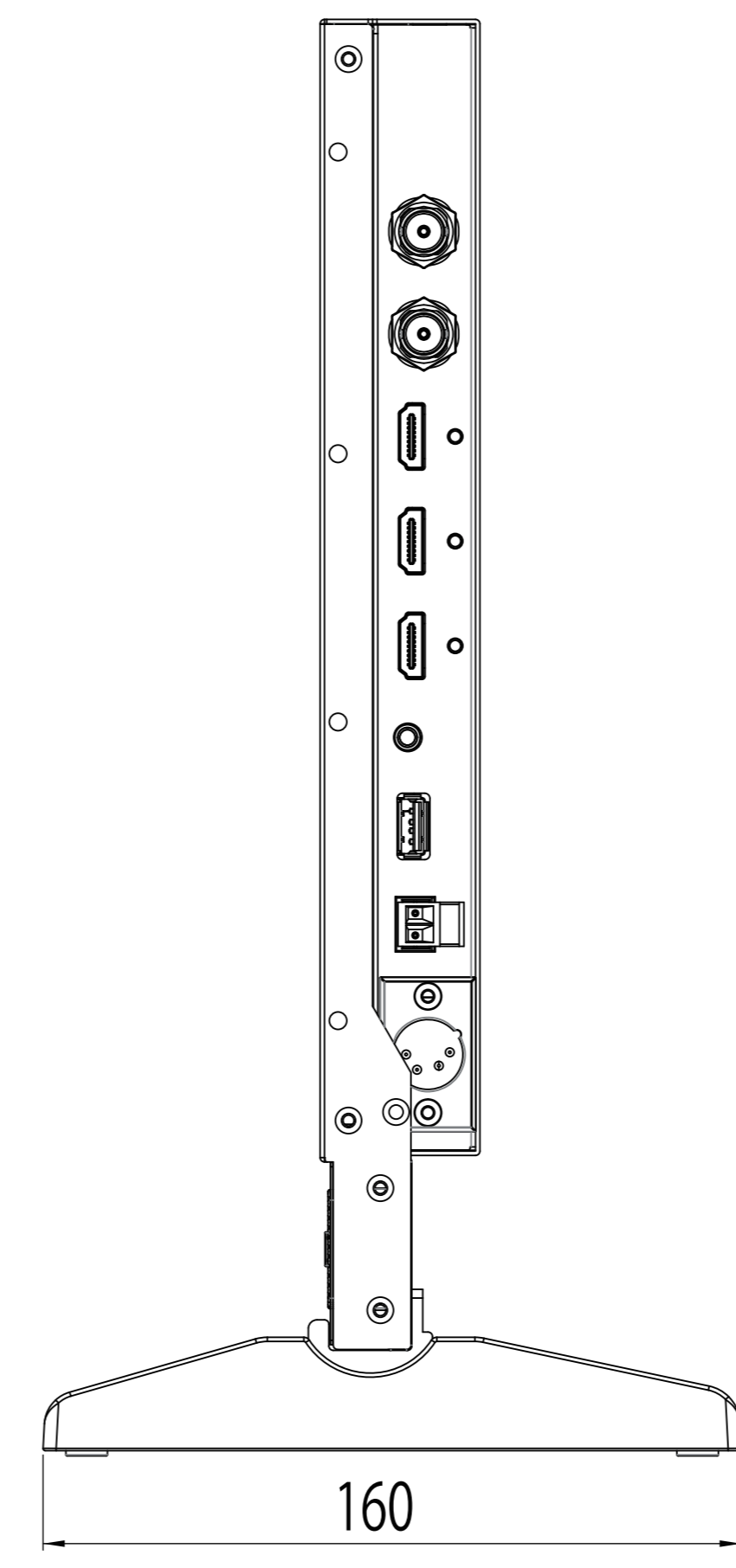
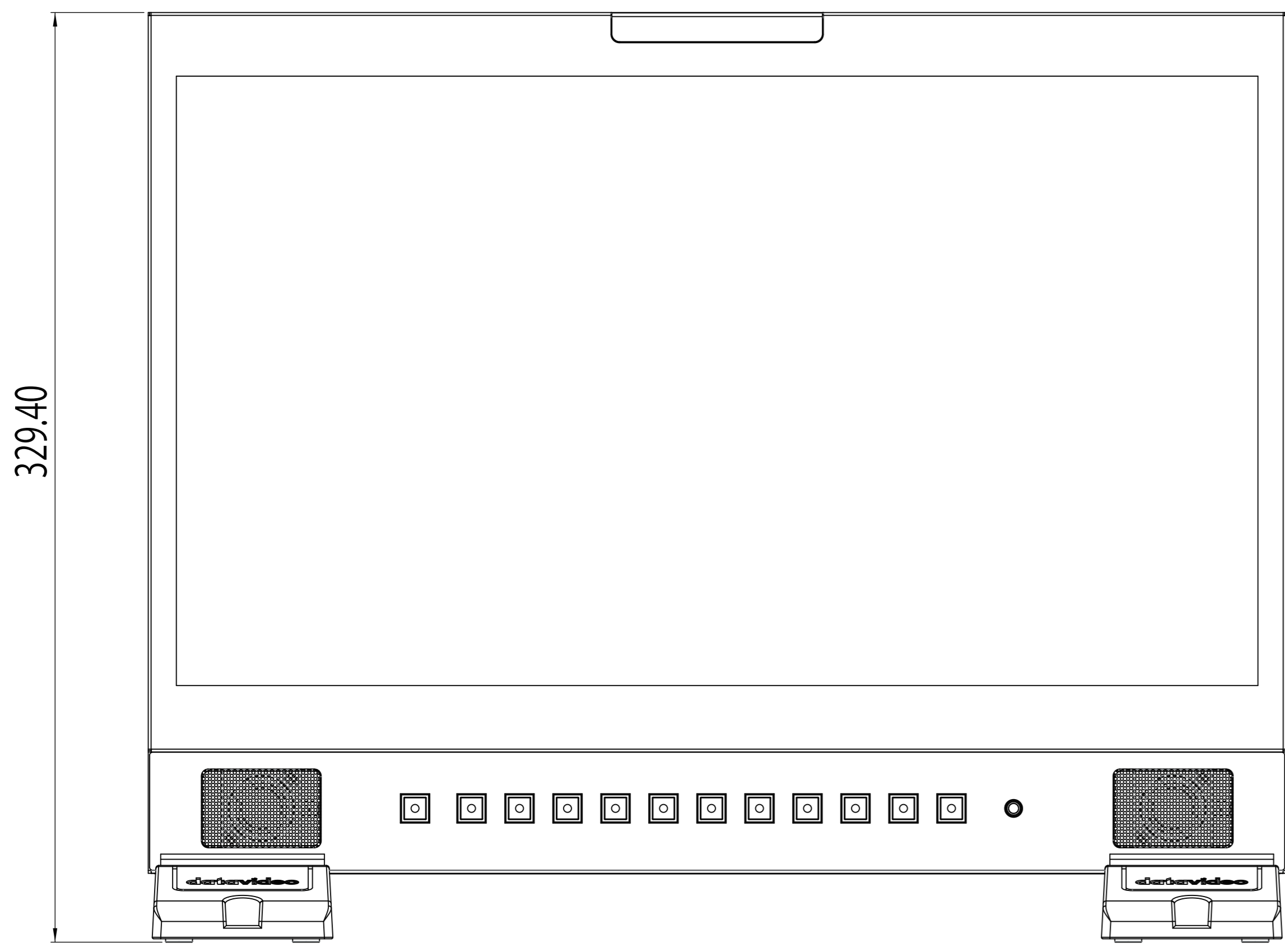
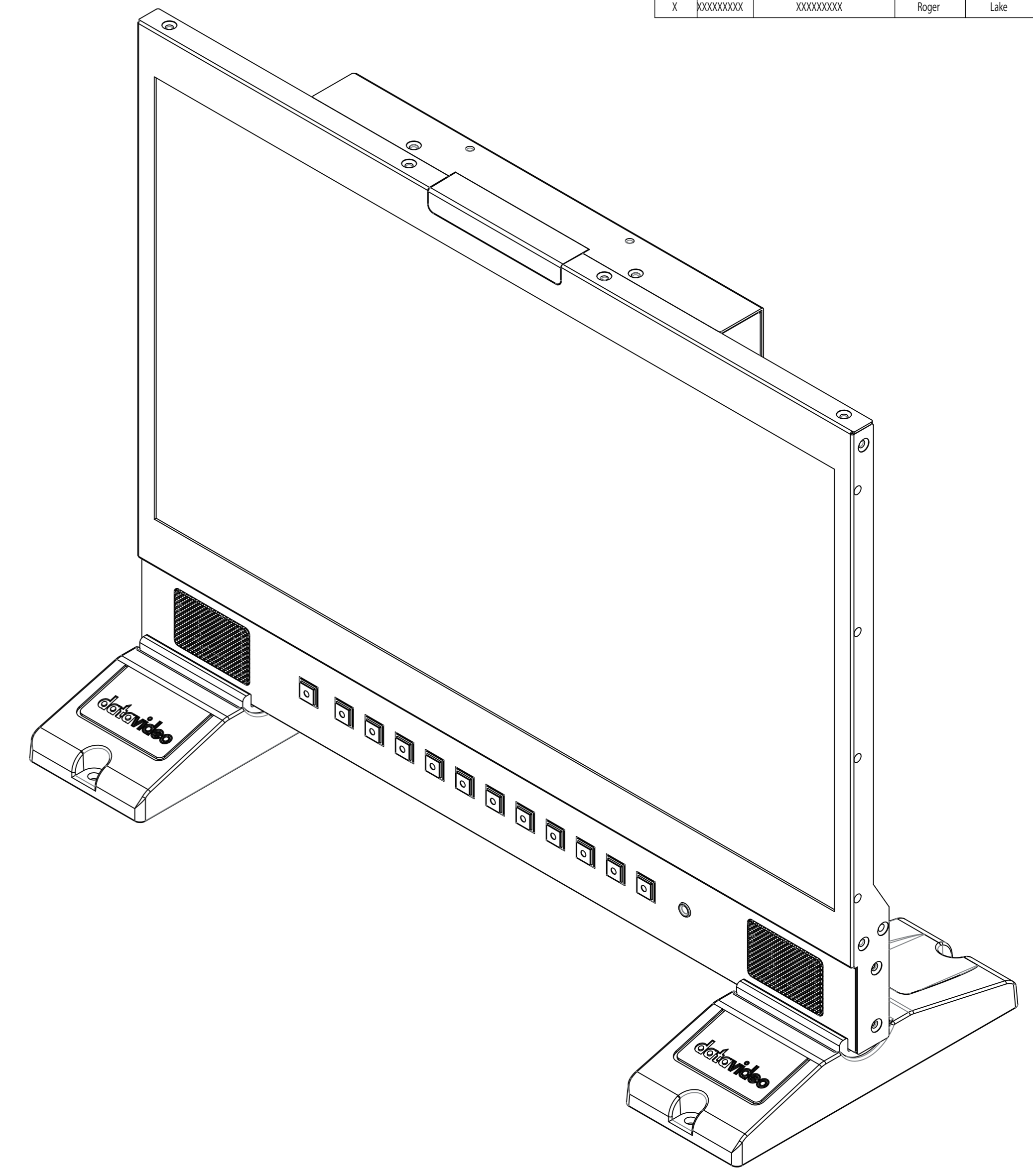


Rev	ECN NO	Description	Drawing	Approved	Date
X	XXXXXXXX	XXXXXXXXXX	Roger	Lake	2021/11/30



Common Tolerance	UNLESS OTHERWISE SPECIFIED	Material:	XXXXXXXX	<b>datavideo</b>	
10mm±0.1	±0.1	Finish:	XXXXXXXX	Part Name:	TLM-170F+ 腳座
10.01-50mm	±0.2			Part No.:	XXXXXXXX
50.01-150mm	±0.3			Model No.:	XXXXXXXX
150.01-300mm	±0.4	Drawing	Design	Check	Approved
300.01mm±0.5	±0.5	Unit:	mm	Scale:	1:1.5
		Date:	2021/11/30	Sheet:	1 OF 1