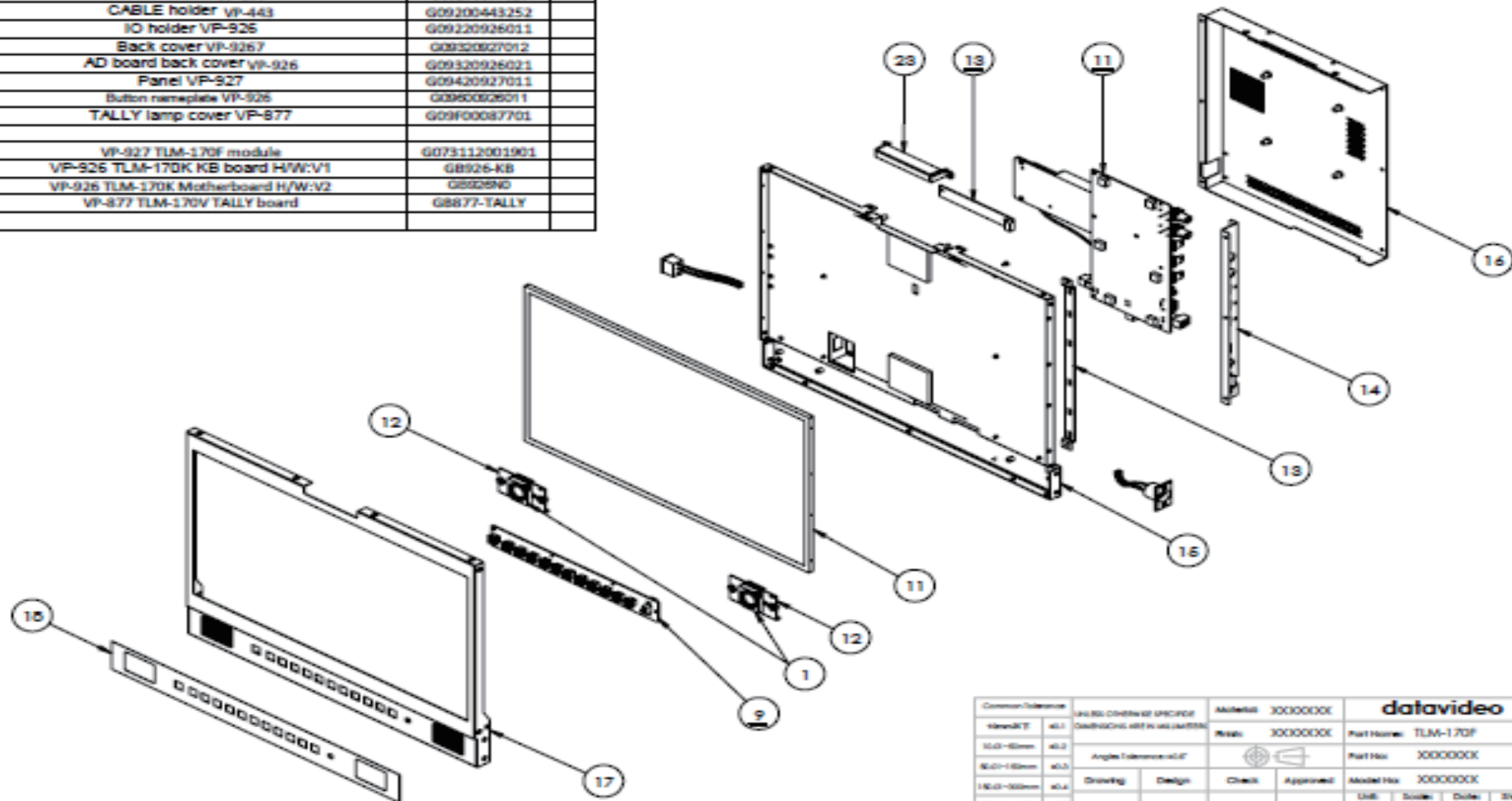


Item	Description	Part Number
1	SPEAKER w/AUDIO BOX 40 3W FC-A-25RB101-3W4-W400L-P3-4P	G03B0258B101
11	17.3" PANEL AUO B173HTN01.1 1920*1080 (H/W-0A)	G1301000173E
12	Horn bracket VP-877	G09200877021
13	CABLE holder VP-443	G09200443252
14	IO holder VP-926	G09220926011
15	Back cover VP-9267	G09300927012
16	AD board back cover VP-926	G09320926021
17	Panel VP-927	G09420927011
18	Button nameplate VP-926	G09600926011
23	TALLY lamp cover VP-877	G09F00087701
	VP-927 TLM-170F module	G073112001901
9	VP-926 TLM-170K KB board H/W:V1	GB926-KB
11	VP-926 TLM-170K Motherboard H/W:V2	G0509ND
13	VP-877 TLM-170V TALLY board	GB877-TALLY

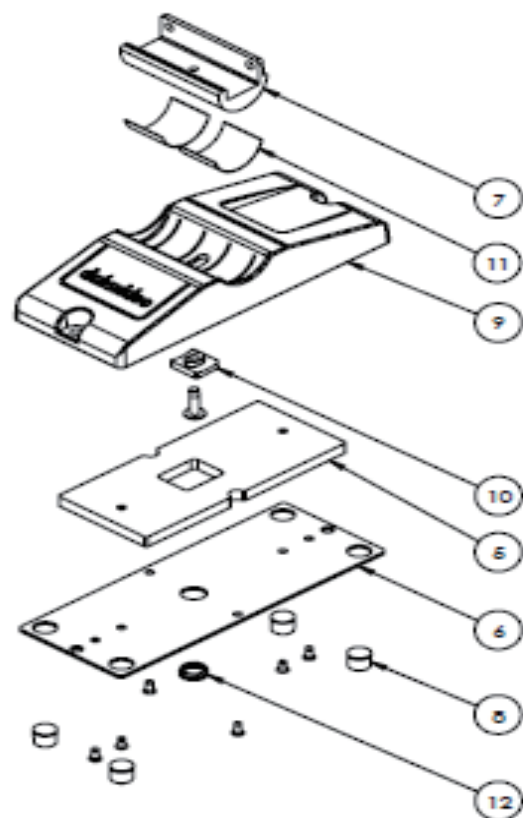
Rev	ECN NO	Description	Drawing	Approved	Date
X	XXXXXXXX	XXXXXXXX	Roger	Lute	2003/3/14



Common Tolerance		Material	XXXXXXX	datavideo	
Standard	±0.1	XXXXXXX	XXXXXXX	Part No.	TLM-170F
0.02-0.05mm	±0.3	XXXXXXX	XXXXXXX	Part No.	XXXXXXX
0.05-0.15mm	±0.5	XXXXXXX	XXXXXXX	Model No.	XXXXXXX
0.15-0.30mm	±0.4	XXXXXXX	XXXXXXX	Unit	mm
0.30-0.60mm	±0.5	XXXXXXX	XXXXXXX	Scale	1:4
		XXXXXXX	XXXXXXX	Date	2003/3/14
		XXXXXXX	XXXXXXX	Sheet	1 OF 1

公差標準
 1. 本圖註尺寸公差標準參照 Common Tolerance
 2. 除註尺寸外，○ 為重要特徵尺寸

Rev	ICH NO	Description	Drawing	Approved	Date
X	XXXXXXXX	XXXXXXXXXX	Roger	Luke	2003/3/1



Item	Description	Part Number
5	Counterweight VP-927	G09200927011
6	Foot base VP-927	G09000927021
7	Shaft VP-927	G09220927011
8	Self-adhesive foot pad φ 10*8(H)	G09C01009271
9	Foot cover VP-927	G09F00092701
10	Foot stop slip VP-927	G09F00092702
11	Teflon gasket VP-927	G09F00092703
12	Hole plug	G09F00092704

Common Tolerance		MATERIAL XXXXXXXX		datevideo	
Steel/Al	±0.1	XXXXXXX		Part Name: Monitor Stand	
15.0-50mm	±0.2	XXXXXXX		Part No: XXXXXXXX	
50.0-100mm	±0.3	XXXXXXX		Model No: VP-927	
100.0-200mm	±0.4	XXXXXXX		Date: 2003/3/1	
200.0mm/2	±0.5	XXXXXXX		Scale: 1:2	
				Sheet: 1 OF 1	