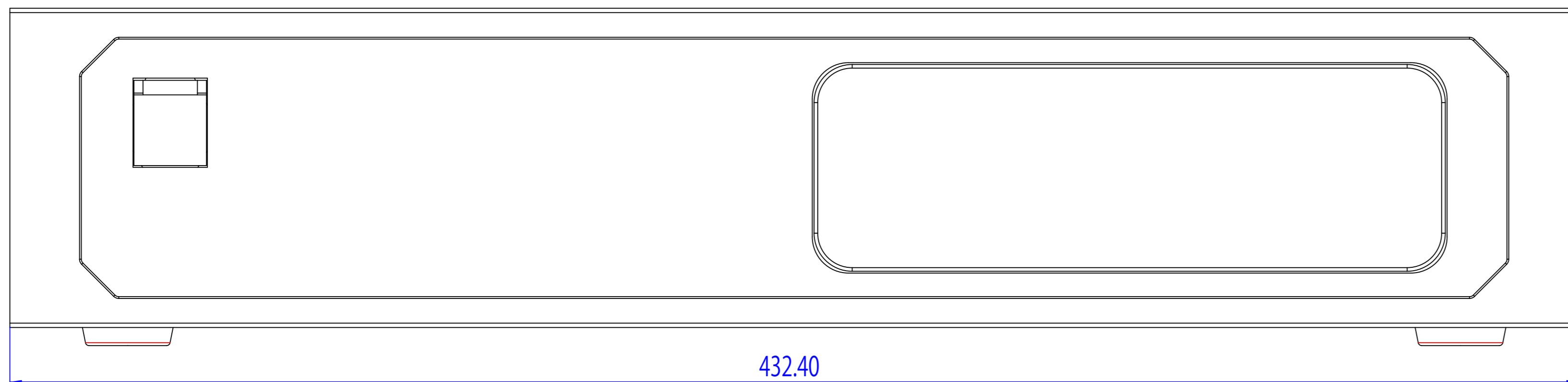
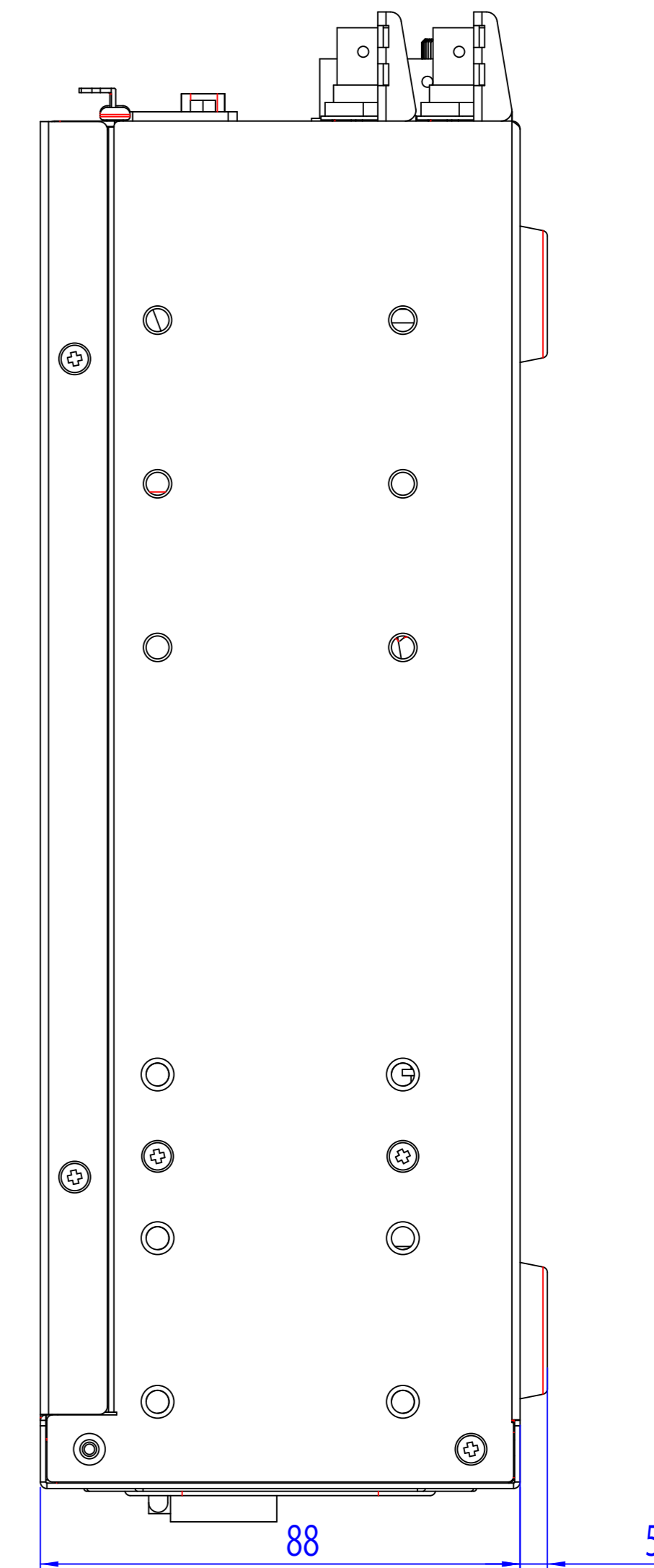
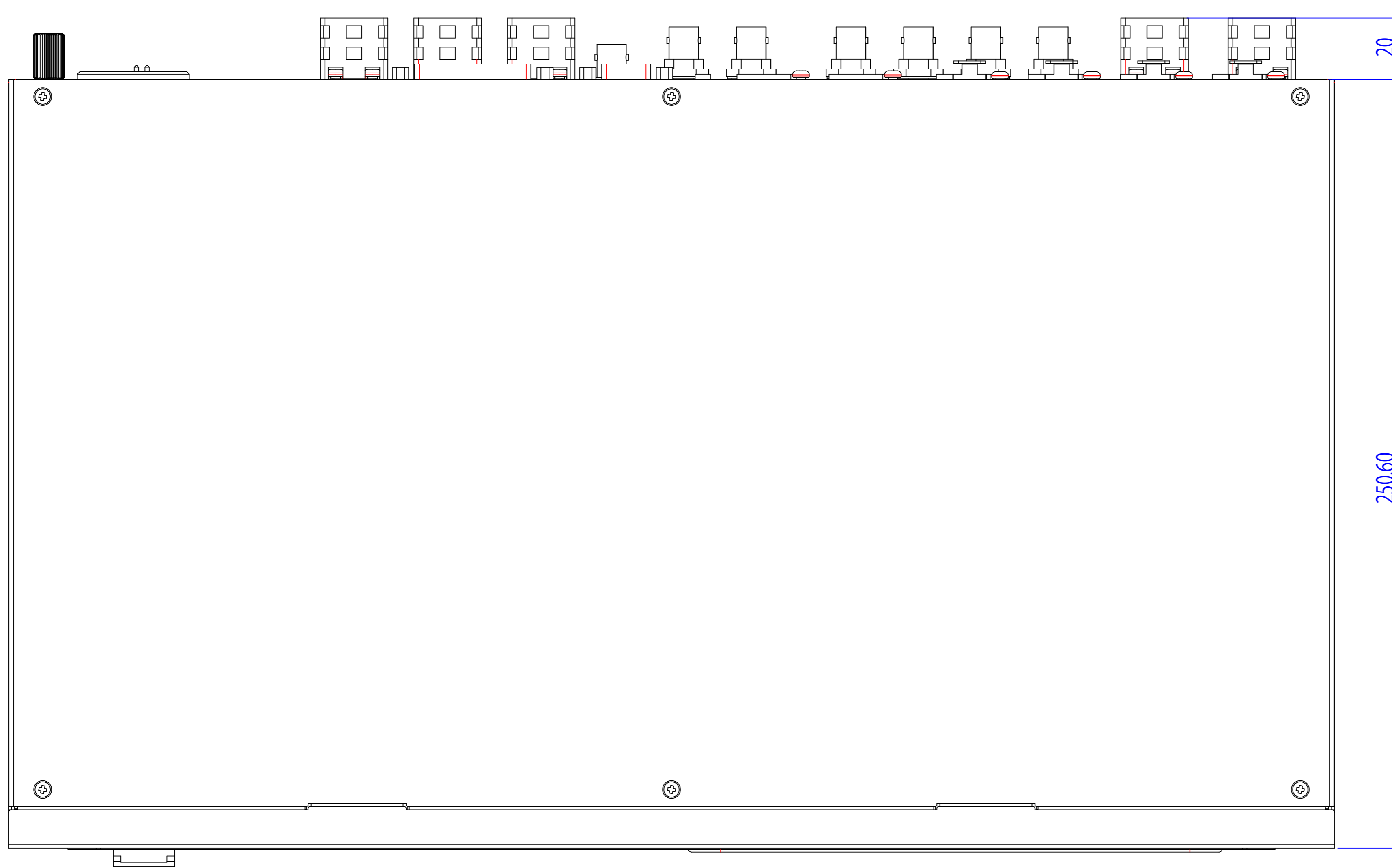
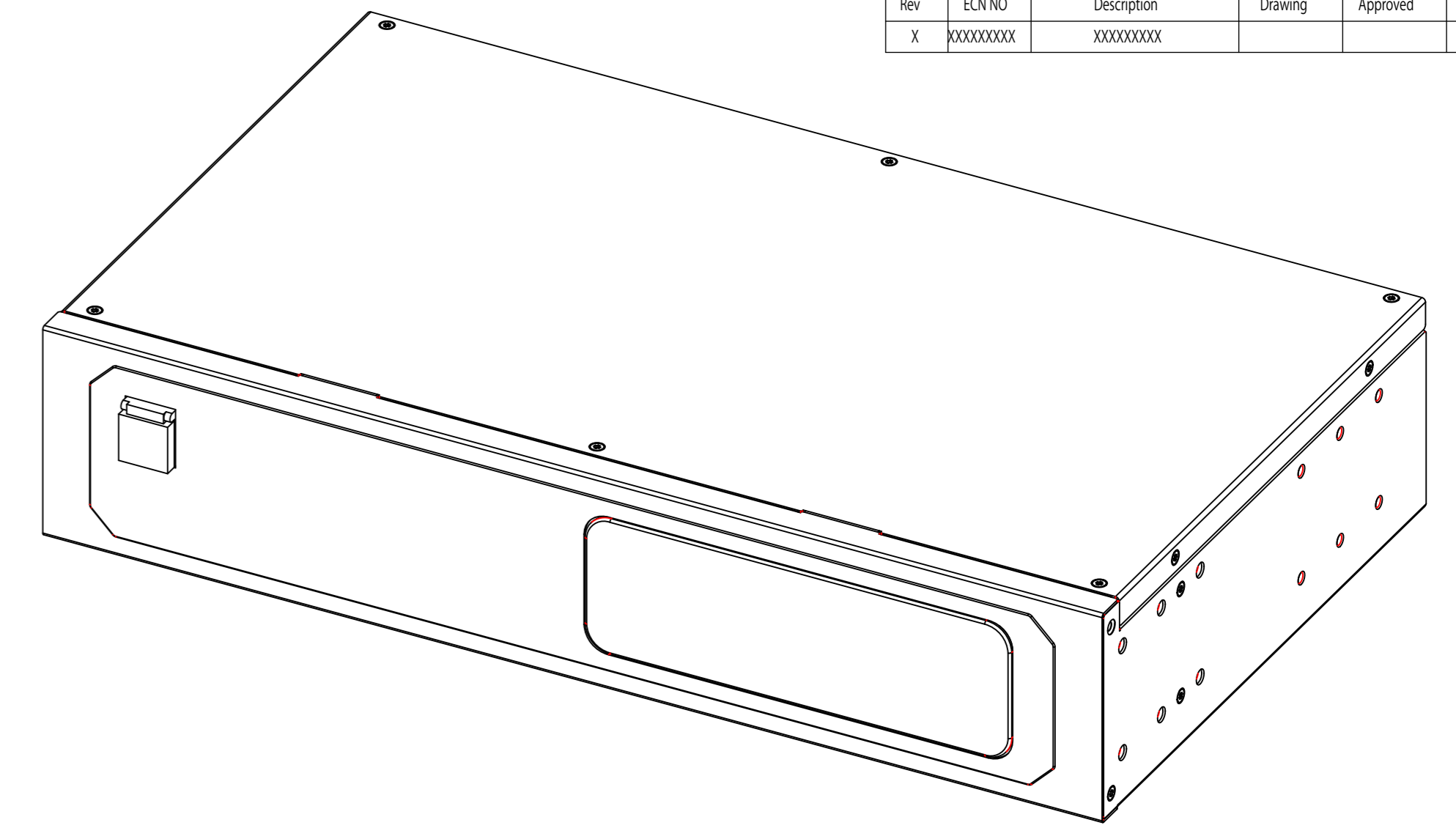
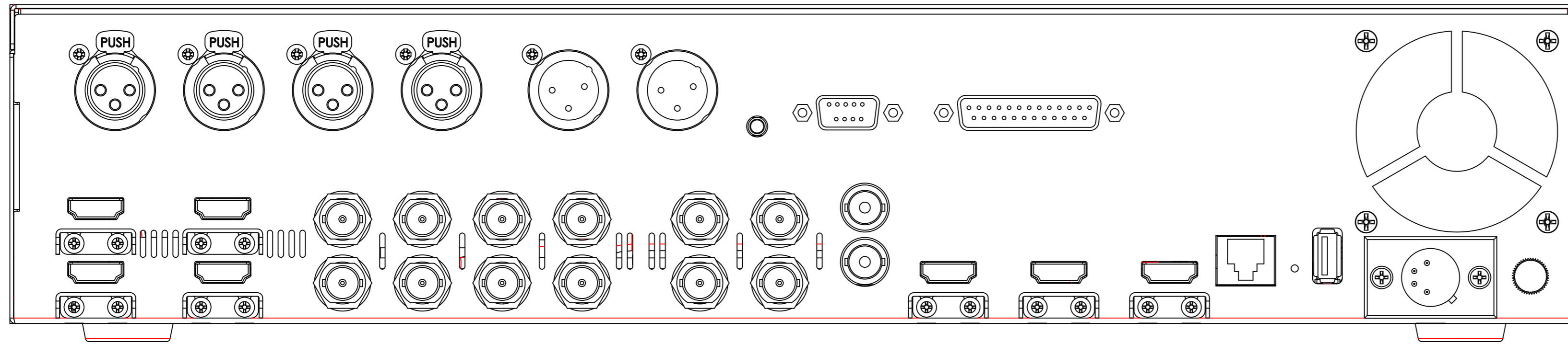


Rev	ECN NO	Description	Drawing	Approved	Date
X	XXXXXXXX	XXXXXXXX			



Common Tolerance		UNLESS OTHERWISE SPECIFIED		Material:	XXXXXXXX	Datavideo	
10mm±0.1	±0.1	DIMENSIONS ARE IN MILLIMETERS		Finish:	XXXXXXXX	Part Name: SE-4000 Hosts	
10.01-50mm	±0.2	Angles Tolerance: ±0.5		Part No: XXXXXXXX		Model No: XXXXXXXX	
50.01-150mm	±0.3	Drawing	Design	Check	Approved	Unit:	mm
150.01-300mm	±0.4	Jim	Jim	Aska	Alex	Scale:	1:1
300.01mm±0.5	±0.5	22-07-08				Date:	
						QTY:	10F1