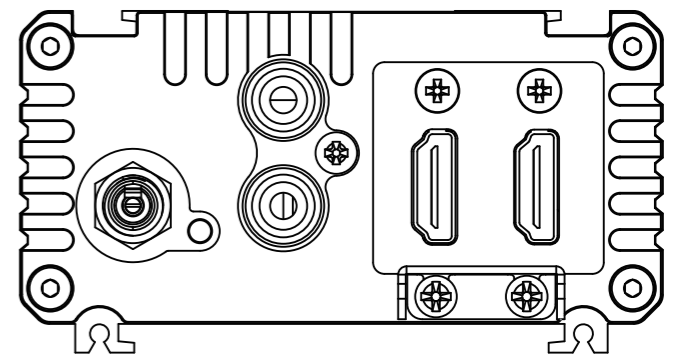
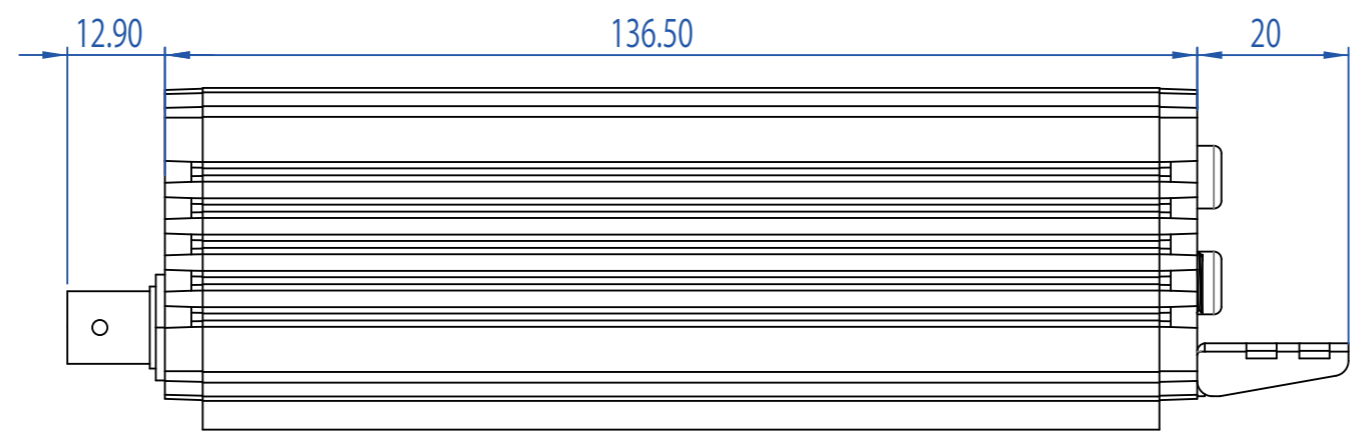
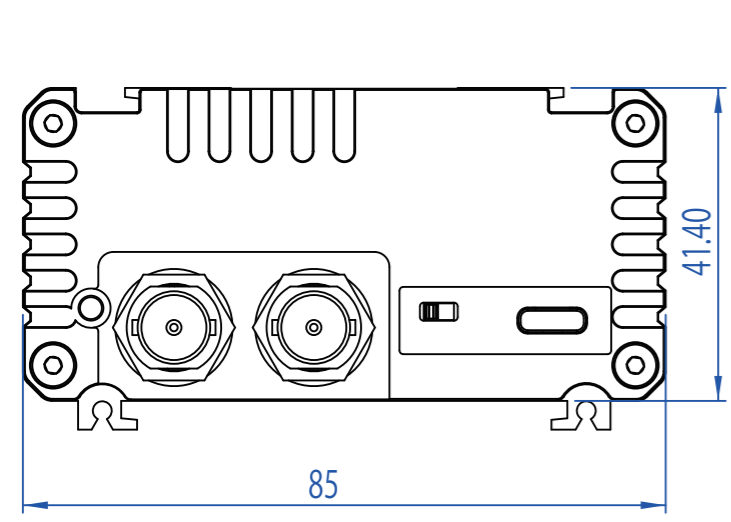
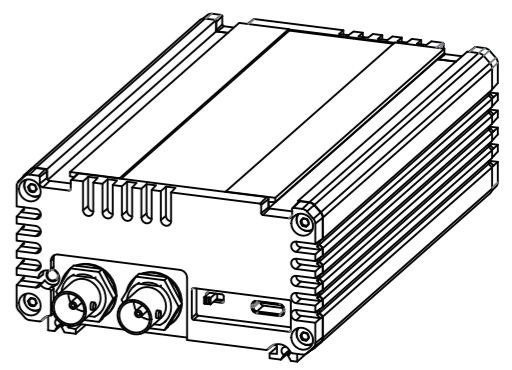
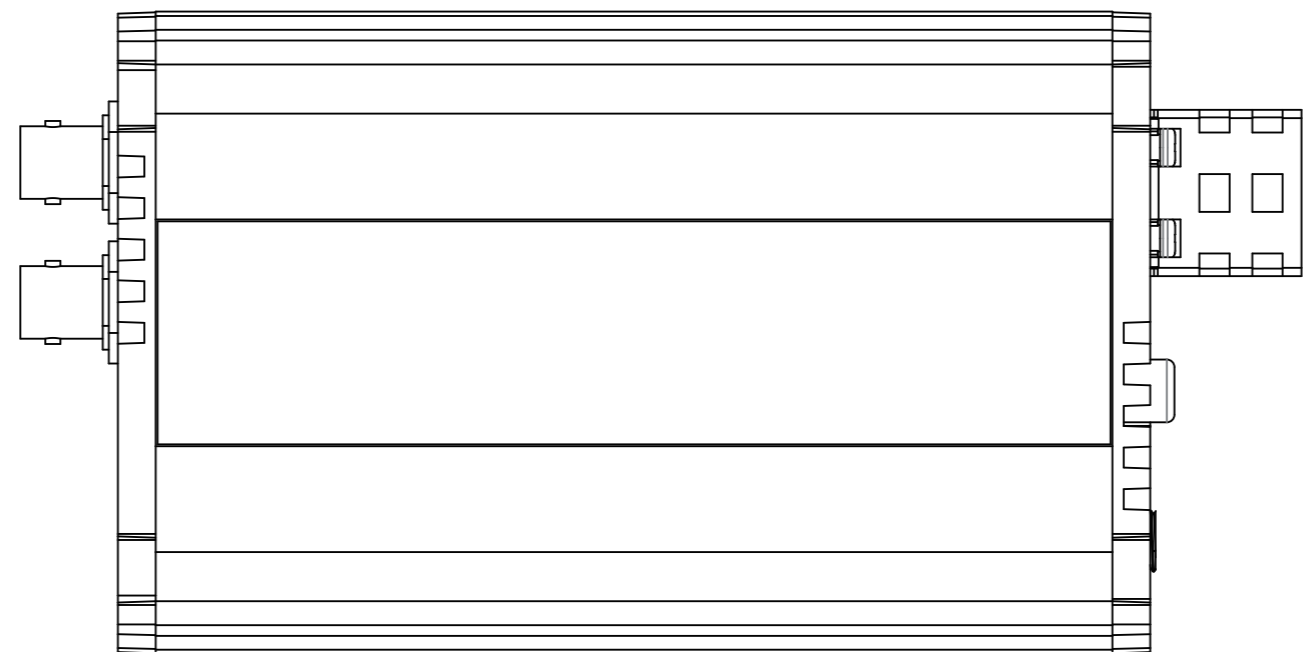


Rev	ECN NO	Description	Drawing	Approved	Date
X	XXXXXXXX	XXXXXXXX			



Common Tolerance		UNLESS OTHERWISE SPECIFIED DIMENSIONS ARE IN MILLIMETERS		Material: XXXXXXX		Datavideo			
10mm以下	±0.1	Angles Tolerance: ±0.5 °		Finish: XXXXXXX		Part Name: DAC-9P 4K			
10.01~50mm	±0.2					Part No: XXXXXXX			
50.01~150mm	±0.3					Model No: XXXXXXX			
150.01~300mm	±0.4	Jim	Jim	Aska	Alex	Unit: mm	Scale: 1:1	Date: 8	Q'TY: 10F1
300.01mm以上	±0.5	22-03-01							