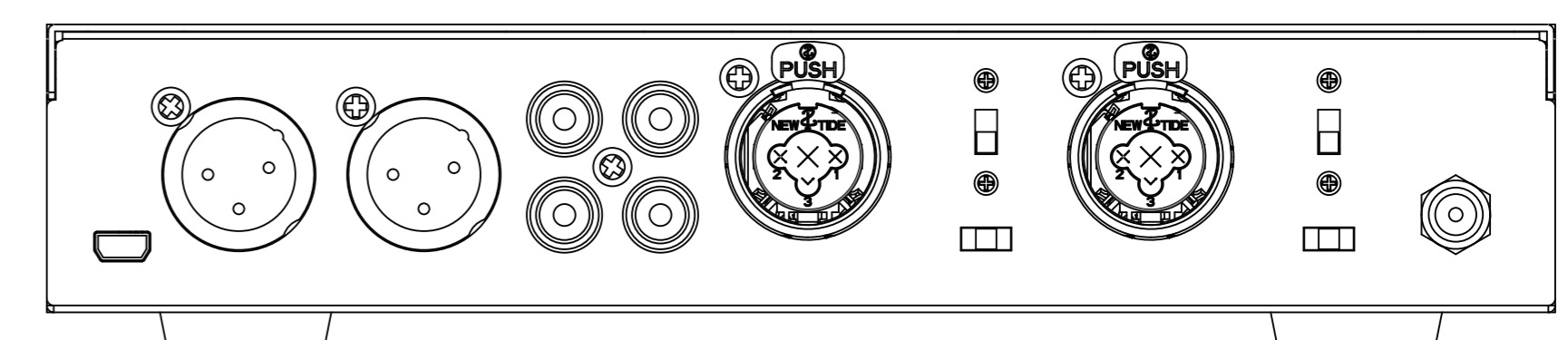
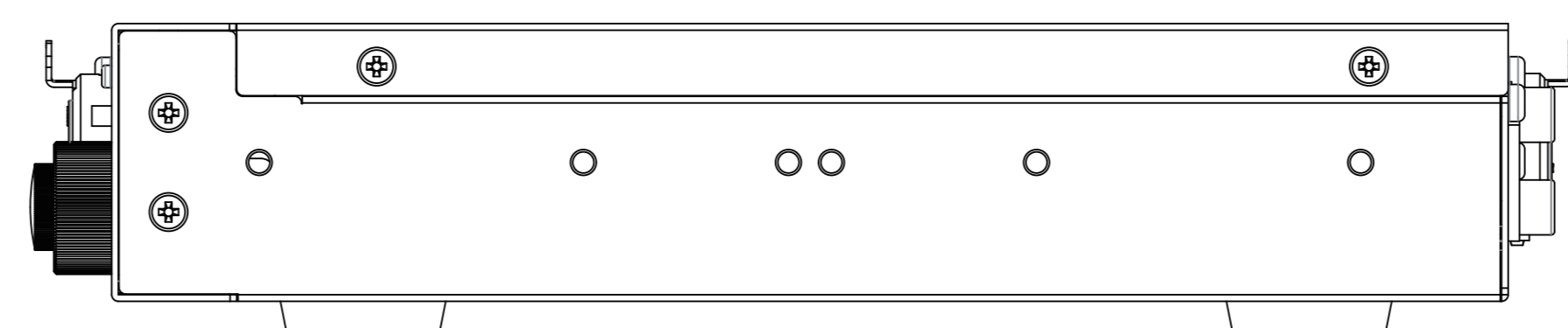
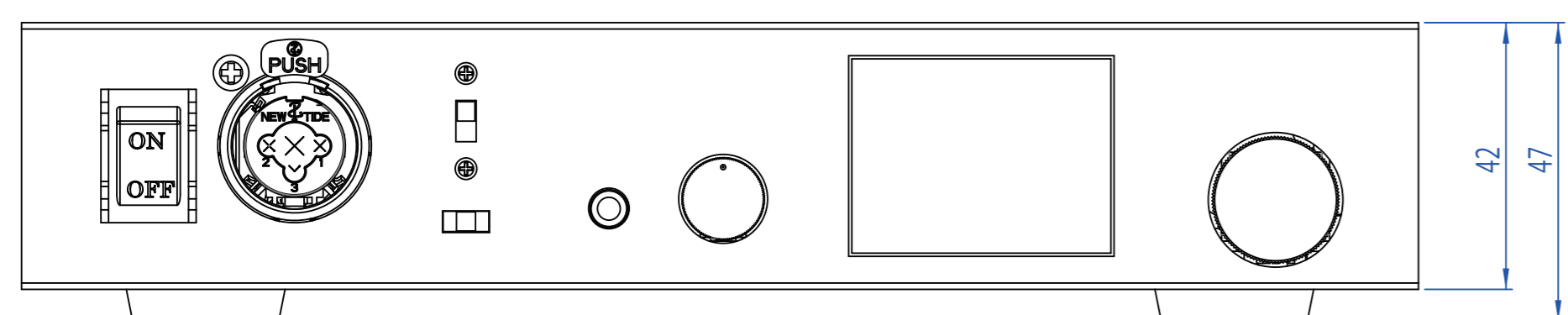
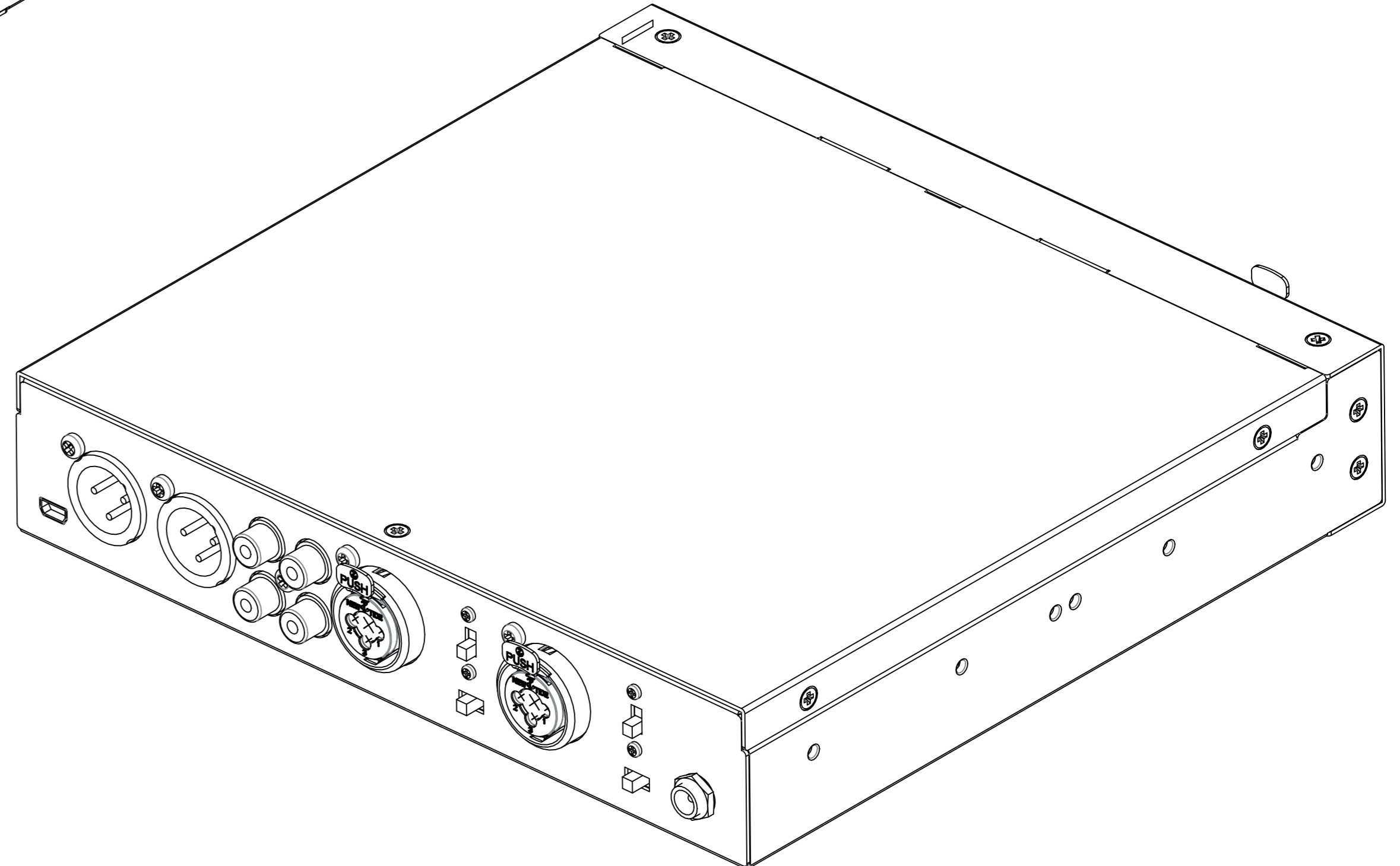
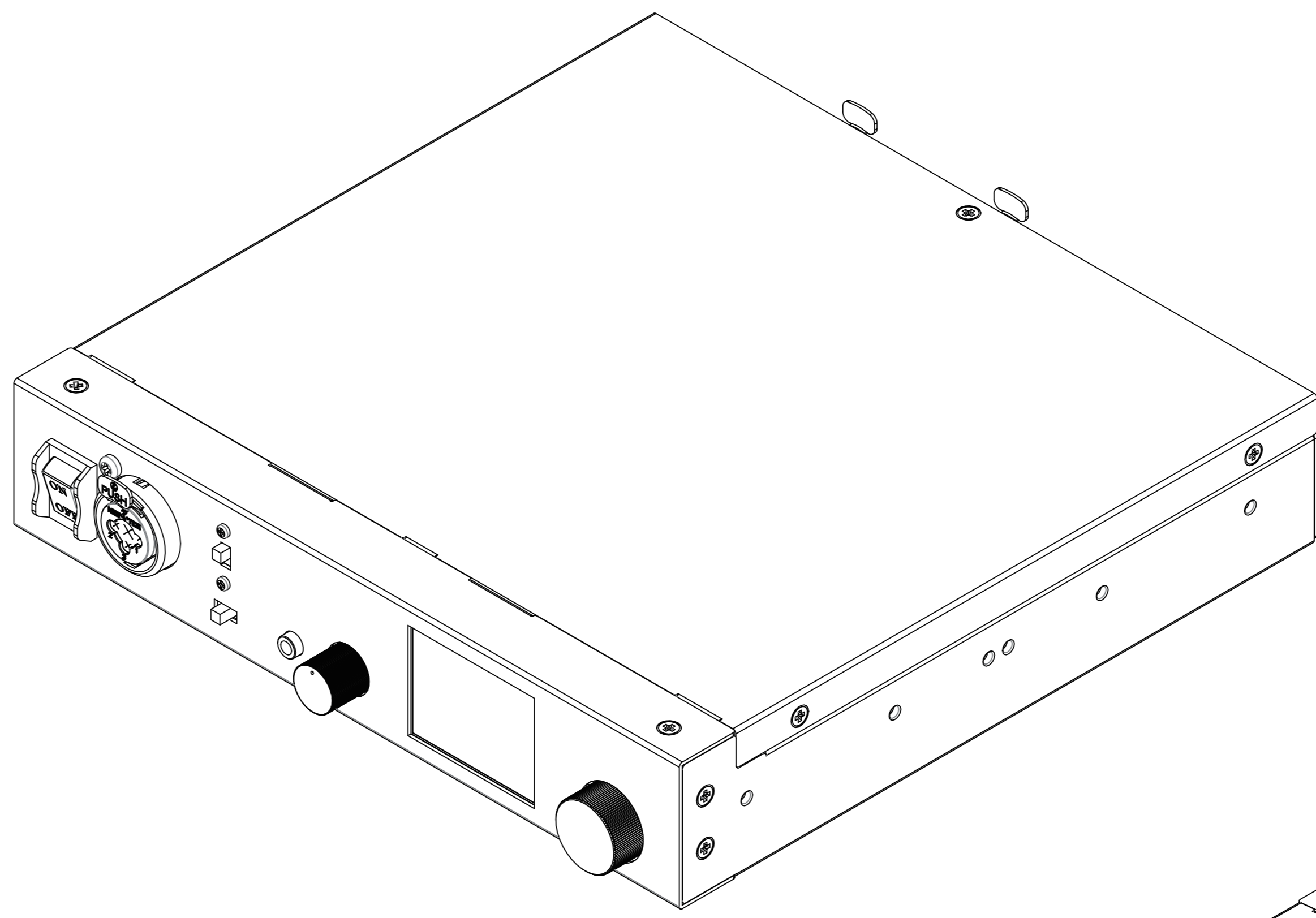
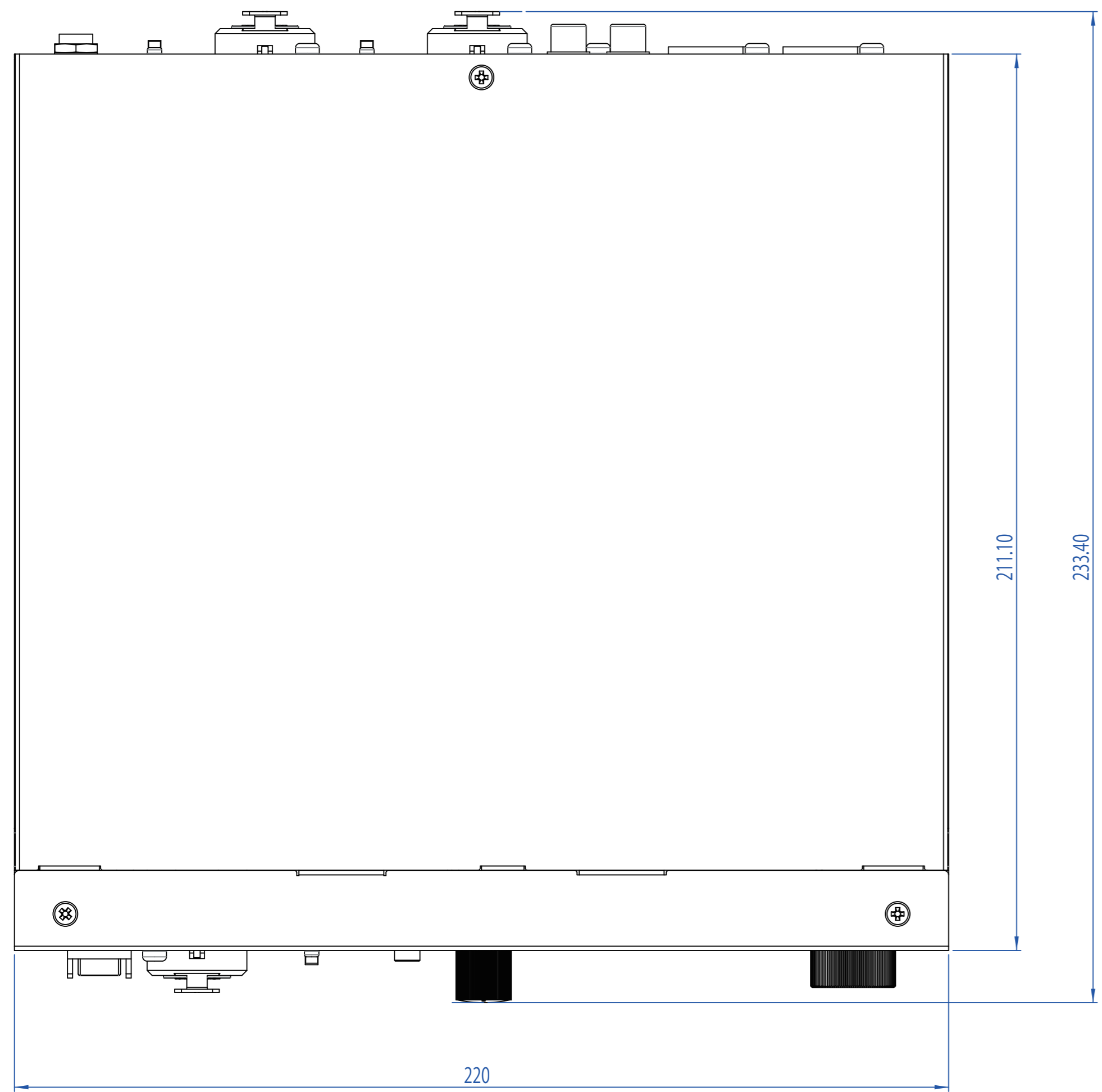


Rev	ECN NO	Description	Drawing	Approved	Date



Common Tolerance	UNLESS OTHERWISE SPECIFIED	Material:	XXXXXXX	datavideo		
10mm±F	±0.1	Finish:	XXXXXXX	Part Name:	AD-300	
10.01-50mm	±0.2	Angles Tolerance: ±0.5		Part No:	XXXXXXX	
50.01-150mm	±0.3			Model No:	VP-920	
150.01-300mm	±0.4	Drawing	Design	Check	Approved	
300.01mm±L	±0.5	Michael	Michael	Aika	Alex	
		Unit:	mm	Scale:	1:1	
		Date:	2021/11/25	QTY:	X	